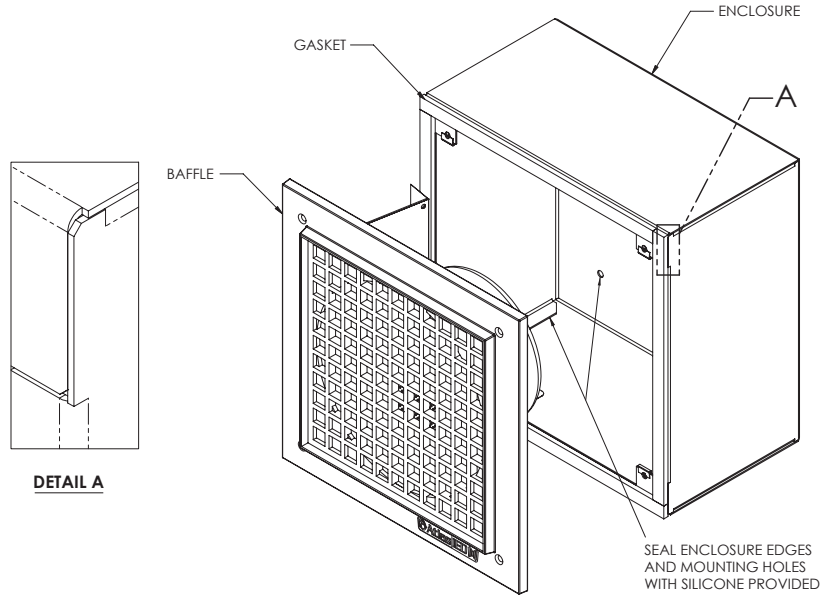


IP-HVP

Install Sheet

IP-SEST-HVP Surface Mount Enclosure for IP-HVP

WARNING: IP-SEST-HVP enclosure must be mounted so seams are oriented vertically. See detail "A". When installed outdoors, silicone-based weather sealant (included) must be used to seal seams on sides, cable entry, and mounting holes on back of the enclosure.



IP-FEST-HVP Flush Mount Enclosure for IP-HVP

WARNING: IP-FEST-HVP enclosure must be adjusted forward to edge of wall material so IP-HVP baffle may seal firmly to enclosure. See detail "A". Exterior surface perimeter edge must then be sealed with silicone sealant (included).

