

L20-101, L20-100, and VP161A-APF Grille

General Description

Installation Instructions for Atlas Sound horn models used with:

- L20-101 Square Baffle
- L20-100 Round Baffle
- VP161-APF Vandal Resistant Grille

Step 1. Unpack components & identify, speaker gasket and (four) $\frac{8}{32}$ hex nuts (shipped with baffle).

Step 2. Assemble speaker horn to baffle as shown below.

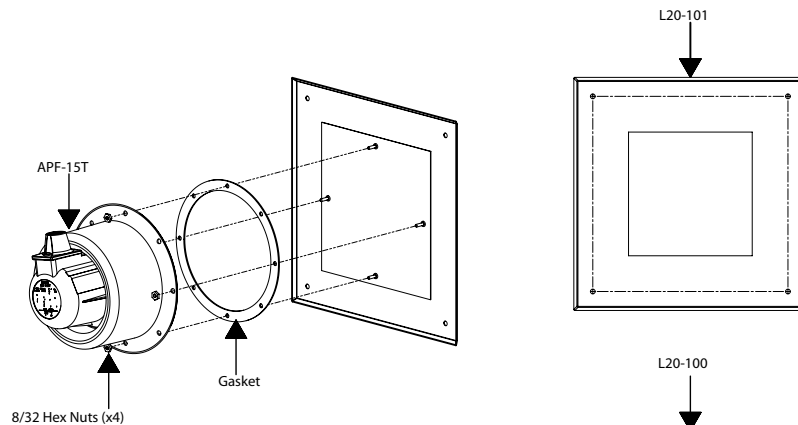
Step 3. Terminate loudspeaker line to speaker terminal block.

Step 4. Select desired transformer tap or connect to 8Ω terminal on speaker.

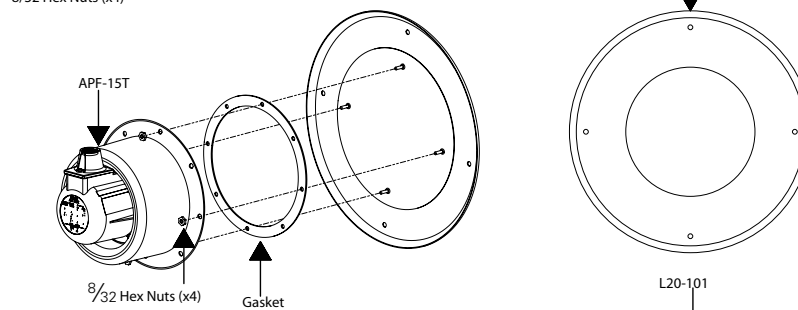
Step 5. Mount assembly into Atlas Sound UL listed enclosure model L20-201 (round, recessed enclosure) or L20-213 (square, surface mount enclosure).

NOTE: Installation must comply with all Building Codes and NFPA guidelines. Installation must adhere to N.E.C. and NFPA 70/72 wiring directives and comply with all National and Local Building Codes.

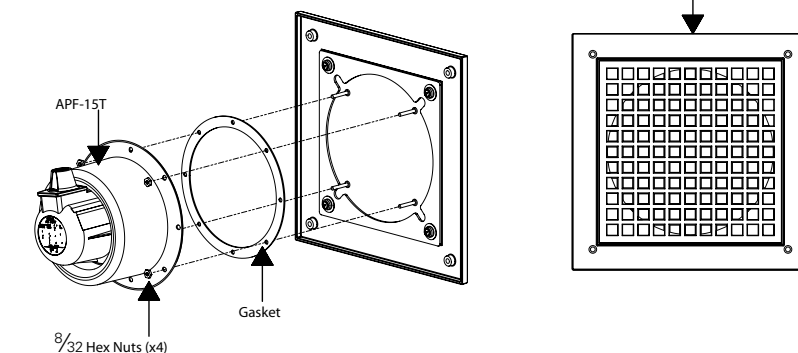
L20-101 Square Baffle



L20-100 Round Baffle



VP161A-APF Vandal Resistant Grille



©2012 Atlas Sound L.P. All rights reserved. Atlas Sound is a trademark of Atlas Sound L.P. All other trademarks are the property of their respective owners. All specs are subject to change without notice. ATS004363 RevA 5/12