

IP-SA

Pre-Assembled 8" Analog Extension Loudspeaker & Baffle for Use with IPX Endpoints



C803A Series Speaker



161-8

Features

- Provides Additional Area Coverage for Larger Rooms When Connected to an IPX Audio or Visual Endpoint
- Highly Efficient 8" (203mm) Coaxial, 16 Watt Loudspeaker
- Wide Frequency Response of 70Hz–15.5kHz (±5dB) is Perfect for Speech and General Messaging Playback

General Description

AtlasIED IP-SA is an indoor wall / ceiling mount Analog Extension speaker for use with any IPX Audio or Visual IP endpoints. It leverages the IPX Audio or Visual IP endpoints to extend audio coverage in environments where network wide communication is required, and multiple high output speakers are needed to overcome high ambient noise and / or large spaces.

Applications

When joined with an AtlasIED IPX audio or visual IP endpoint, that is registered as a communication endpoint directly within InformaCast, GCK, and SA-Announce advanced notification applications, the IP-SA receives the same audio broadcast to enhance physical security while improving day-to-day communications through advanced alerting, bell schedules, pre-recorded & scheduled announcements, while leveraging the WAN or LAN network architecture.

When used within a Cisco ecosystem and combined with an AtlasIED IPX audio or visual IP endpoint, the IP-SA speakers can join Cisco's Unified Survivable Remote Site Telephony (SRST) as a supported device. Cisco's SRST provides remote location call-processing redundancy when access to the centralized Cisco Unified Communications Manager is interrupted because of a WAN outage. The ability of LAN communication between any combination of phones and speakers is particularly critical during an emergency (which may be the actual cause of the WAN outage).

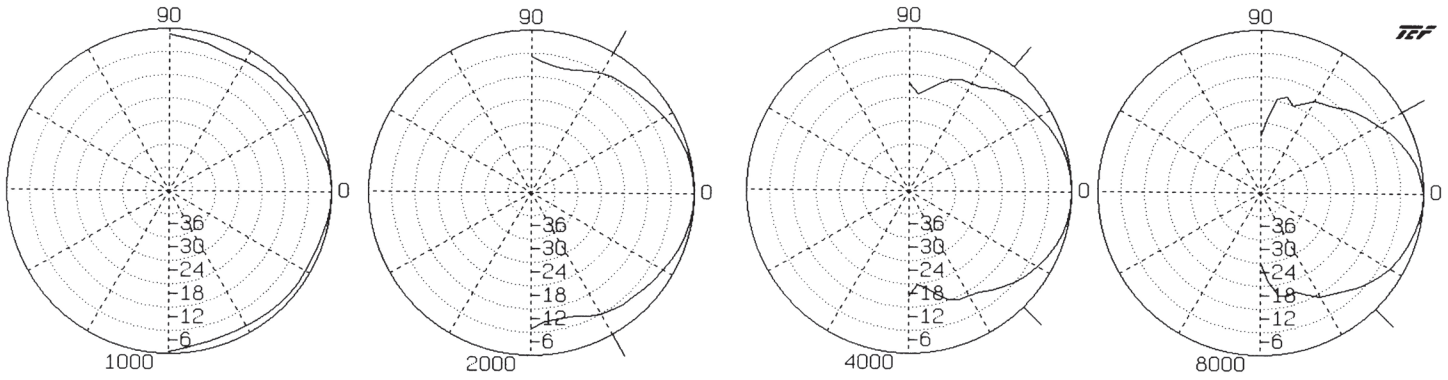
Where 3rd party notification applications are not required, the IP-SA speakers can be attached to any IPX audio or visual IP endpoint that is registered as a SIP device directly to a SIP server or VoIP Communications Manager for critical alerts, intercom and public address applications.

System	
Type	Analog Extension Loudspeaker and Baffle
Speaker Model	C803A
Baffle Model	161-8
Speaker Size	LF: 8" (203mm), HF: 3" (76mm)
Frequency Response (+/- 5dB)	70Hz - 15.5kHz
Power Rating	16 Watts RMS
Sensitivity	98dB (Peak)
Power Taps	8Ω
Enclosure	
Color	White
Grille Material	20-Gauge CRS
Baffle Material	20-Gauge CRS
Mounting / Rigging Provisions	4 x Screws
Safety Agency Ratings	UL Listed to Comply with UL 1480a
Ingress Protection	N/A
Logo	N/A
Product Dimensions (HxWxD)	11.43" (290mm) x 11.43" (290mm) x 2.92" (74mm)
Shipping Dimensions (HxWxD)	11.875" (302mm) X 11.875" (302mm) X 4.5" (114mm)
Net Weight - lbs	3.97lb (1.8kg)
Shipping Weight - lbs	5.17lb (2.35kg)
Warranty Coverage	
Warranty Period	5 Year

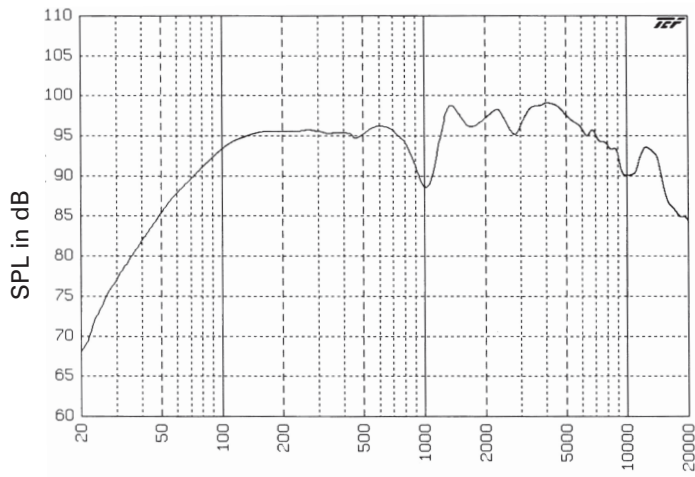
NOTES:

1. Sensitivity: Half space pink noise measurement at 6 ft (1.8 m) at 20% power; extrapolated to 1 meter and an input of 2.83 volts RMS.
2. Watts: All wattage figures are calculated using the rated nominal impedance.
3. Frequency response and sensitivity are half-space measurements.

Polars Are Normalized To Zero On Axis (-6dB)

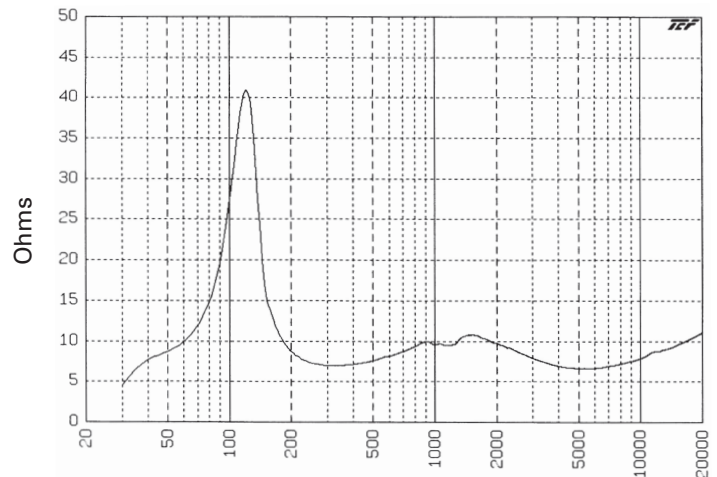


Frequency Response



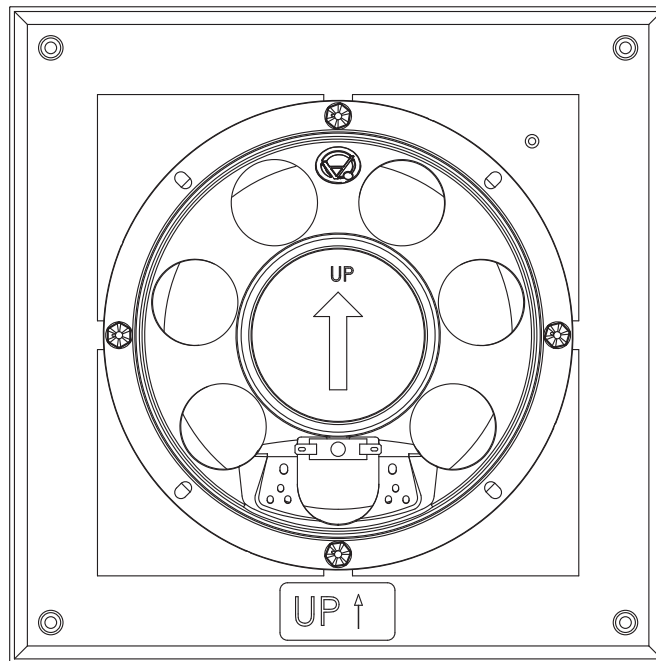
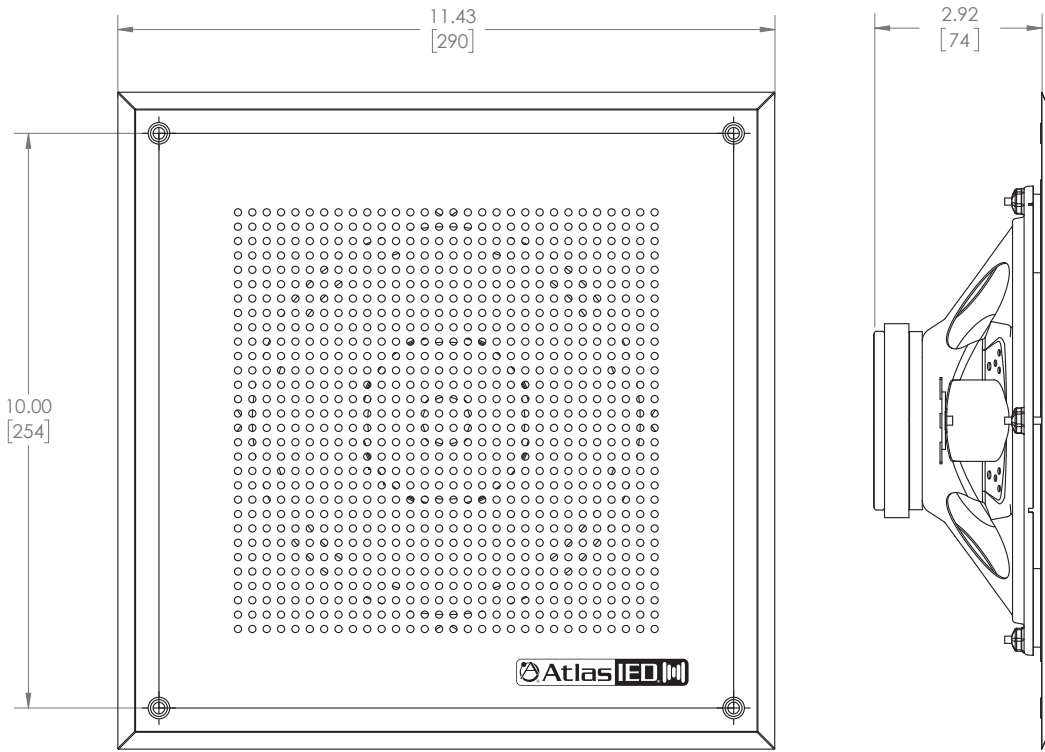
Frequency (Hz)

Impedance

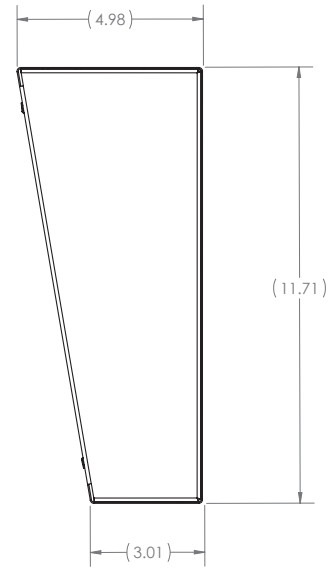
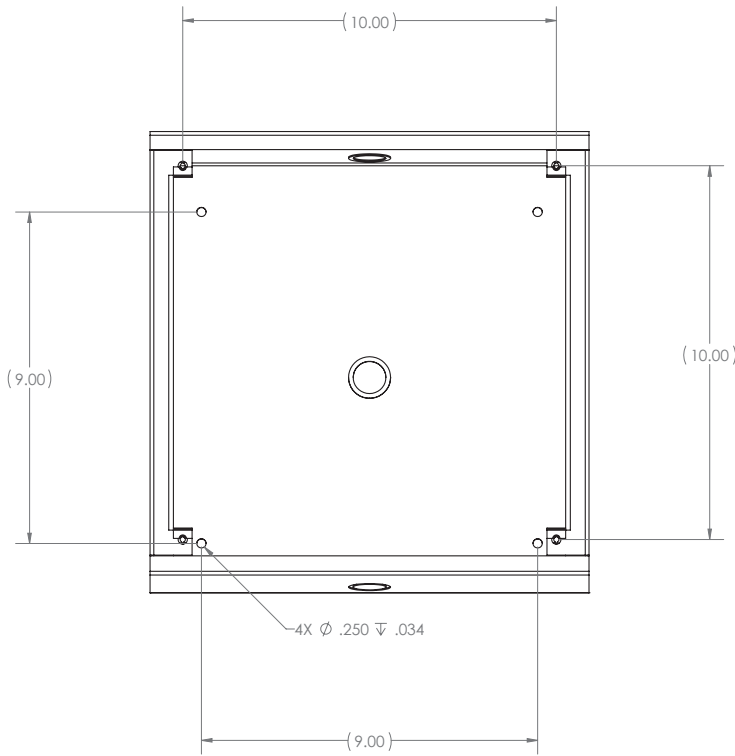
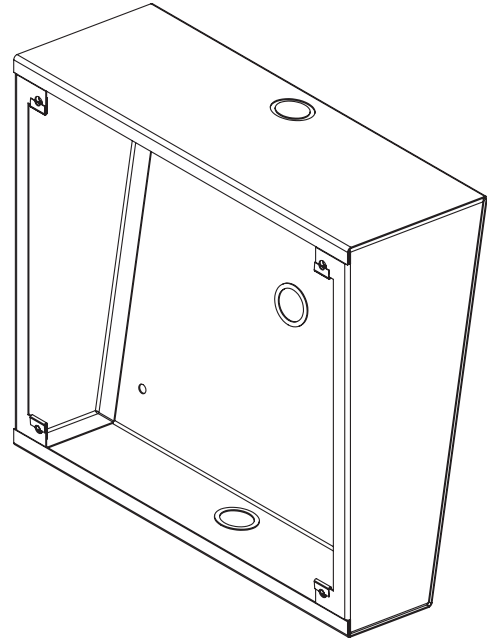
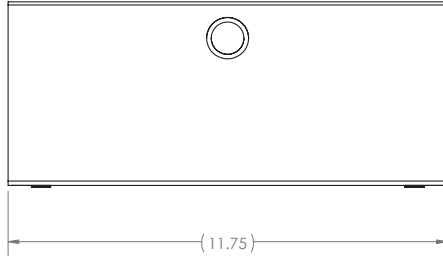


Frequency (Hz) Octave Smoothing = 30.0%

Dimensional Drawings

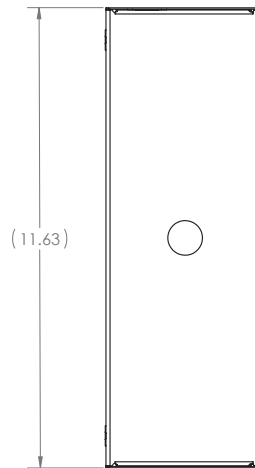
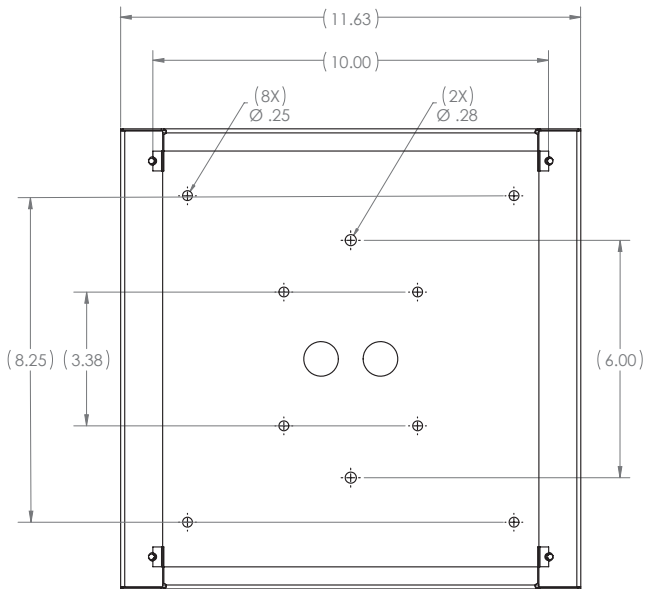
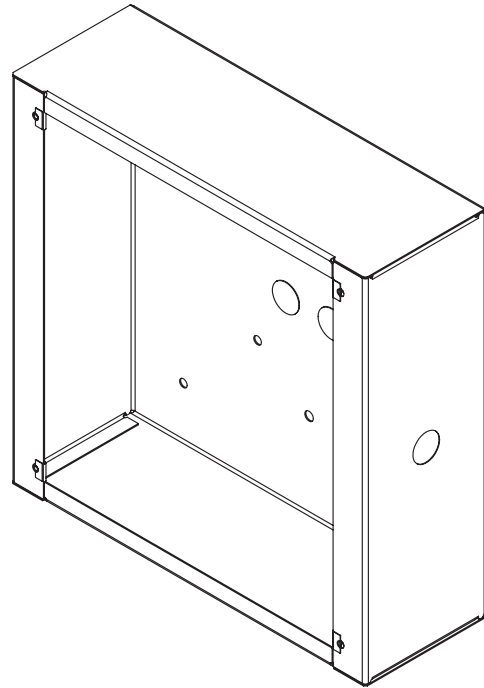
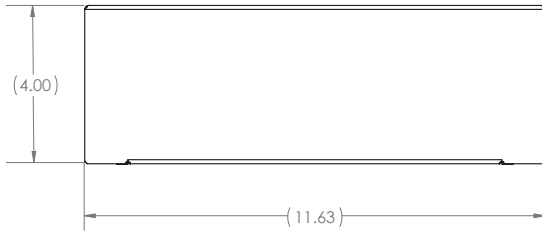


Accessories
IP-SEA-S



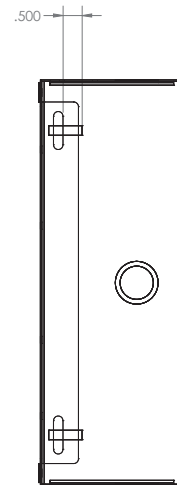
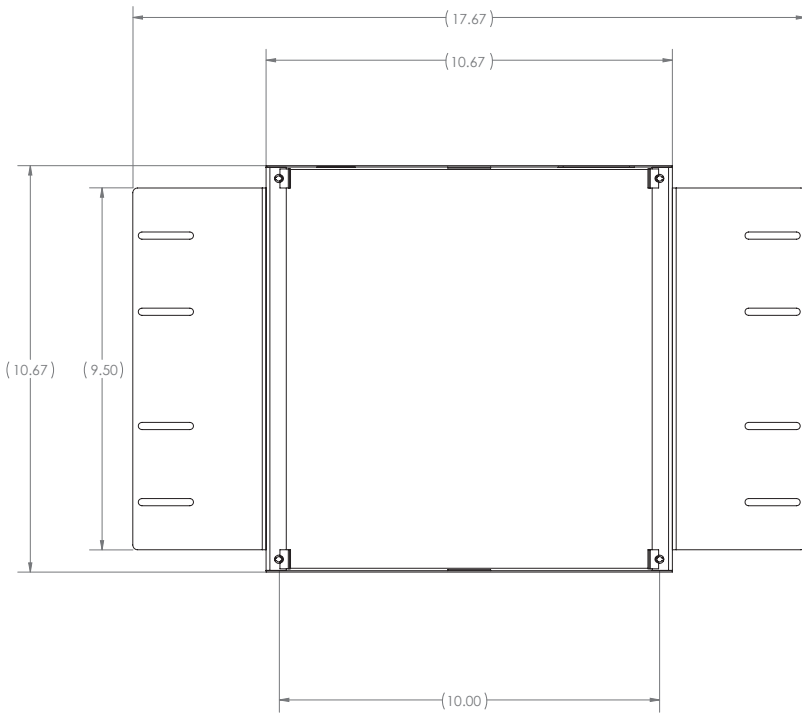
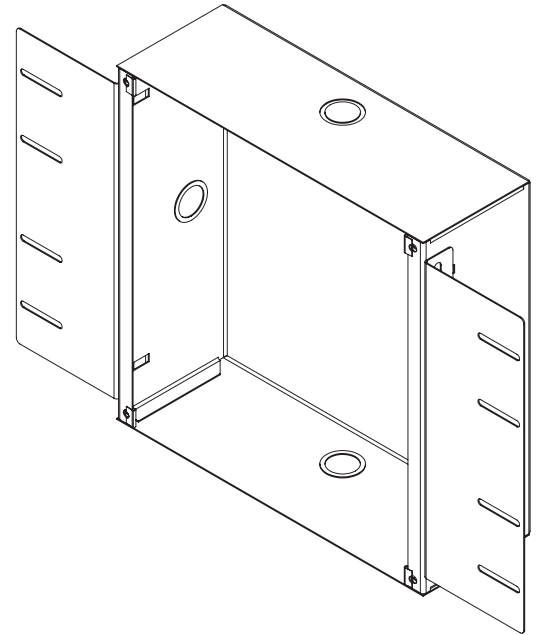
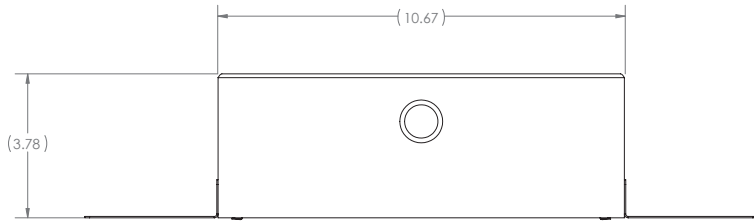
©2019 Atlas Sound LP. The Atlas "Circle A", Soundier, and Atlas Sound are trademarks of Atlas Sound L.P. IED is a Registered Trademark of Innovative Electronic Designs LLC. All rights reserved. All other Trademarks are property of their respective owners. No endorsement is implied. Due to continual product development, specifications are subject to change without notice. ATSO05914 RevA 1/19

Accessories
IP-SEST-S



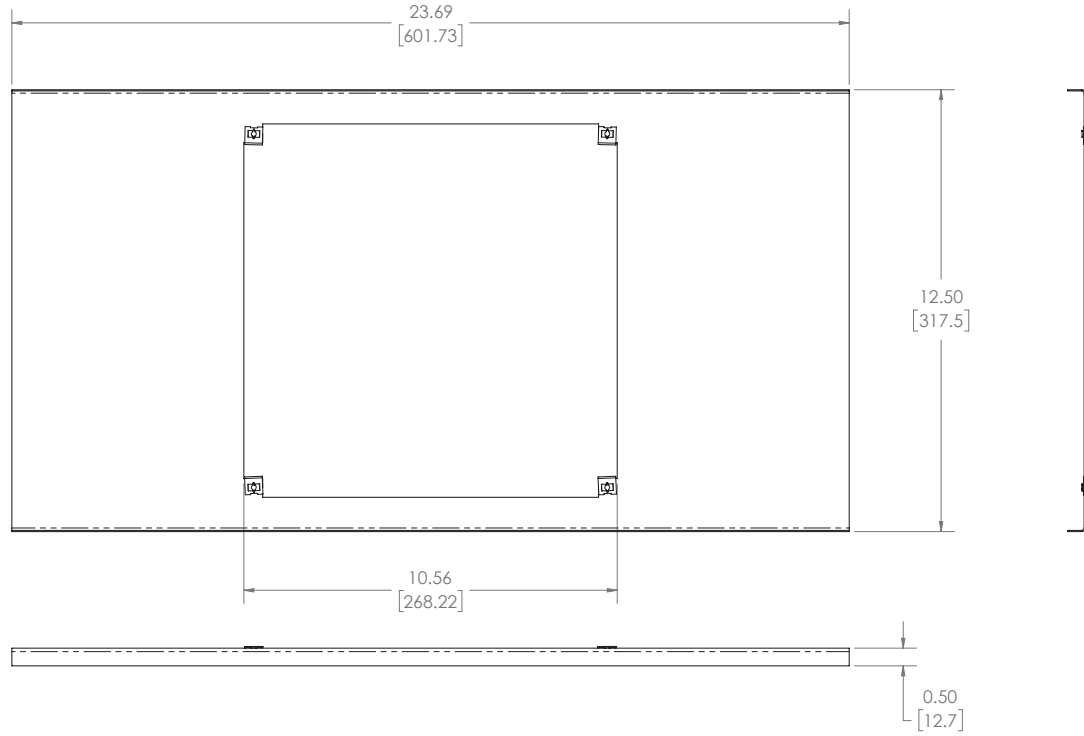
Accessories

IP-FEST-S

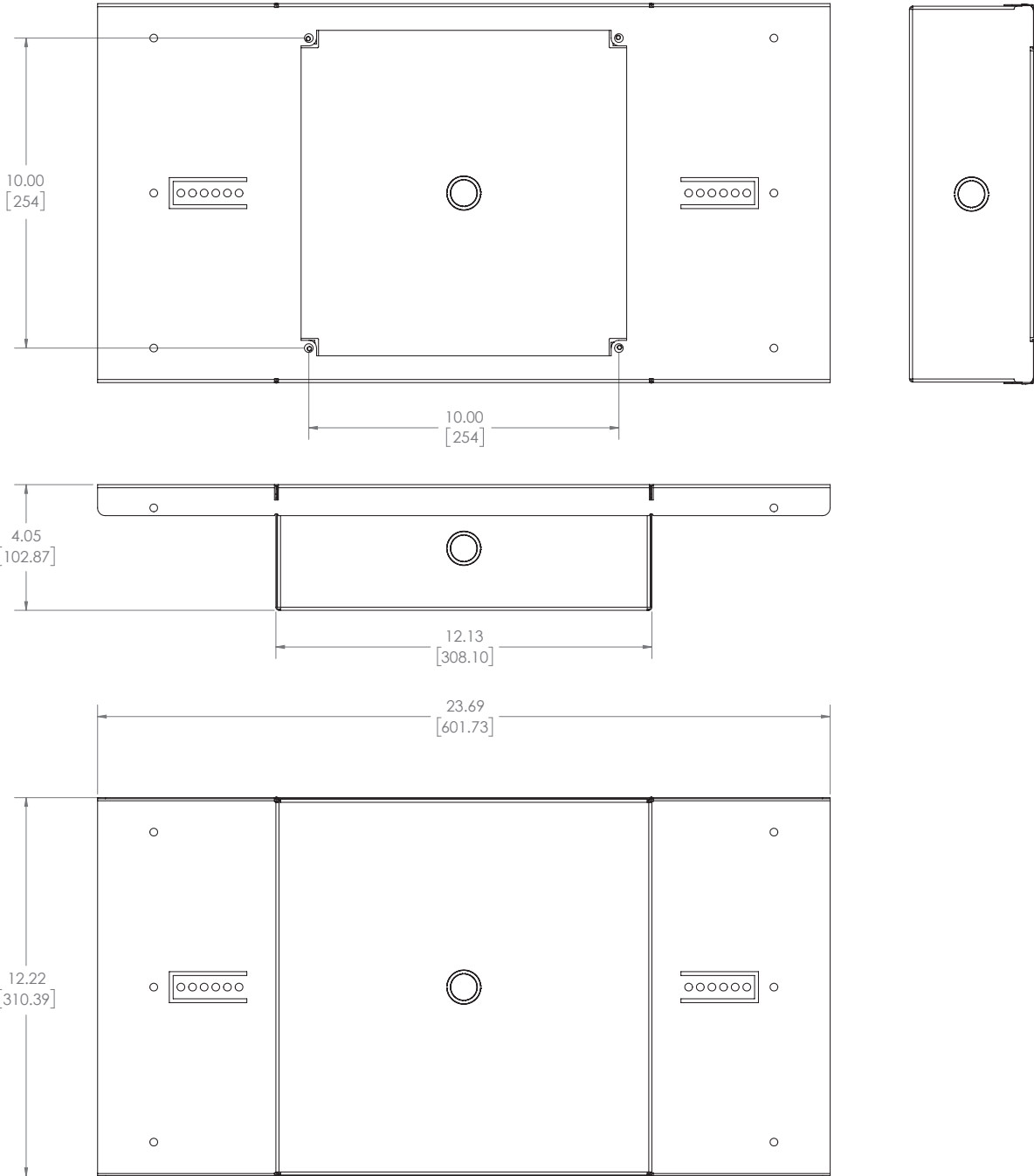


Accessories

IP-STB



Accessories
IP-STBE



©2019 Atlas Sound LP. The Atlas "Circle A", Soundlier, and Atlas Sound are trademarks of Atlas Sound L.P. IED is a Registered Trademark of Innovative Electronic Designs LLC. All rights reserved. All other Trademarks are property of their respective owners. No endorsement is implied. Due to continual product development, specifications are subject to change without notice. ATSO05914 RevA 1/19

Architect and Engineer Specifications

The unit shall be AtlasIED model IP-SA. The indoor wall / ceiling mount Analog Extension Speaker System shall include factory assembled 8" Coaxial speaker and baffle combination.

The speaker shall be an 8" Coaxial driver with low-frequency reproducer cone shall be a full 8" (203mm) in diameter and the high frequency reproducer cone shall be 3" (76mm) in diameter. The woofer shall have a 10oz. (260g) ceramic magnet; the tweeter shall have a 2.35oz. (67g) ceramic magnet. The two reproducer sections shall be coupled through a built-in crossover network.

The crossover frequency shall be at 2800Hz. The speaker dispersion shall be 105° and frequency response range shall be 70Hz – 15.5kHz, (±5dB). Sensitivity shall be 98dB at 1 Watt / 1 meter. Voice coil impedance shall be 8Ω. Low frequency voice coil diameter shall be 1" (25mm) and operate in a magnet field of at least 10,600 gauss. The maximum depth of the loudspeaker shall not exceed 2⁷/₈" (73mm).

AtlasIED IP-SA is an indoor wall / ceiling mount Analog Extension Speaker System overall dimensions shall be 11.5" SQ. (292mm). Finish shall be neutral white electrostatic powder coat metal baffle.

Optional enclosures shall include:

IP-SEA-S	Surface mount angled enclosure for IP-SA neutral white finish
IP-SEST-S	Surface mount straight enclosure for IP-SA neutral white finish
IP-FEST-S	Flush mount straight enclosure for IP-SA reclaimed powder coat finish
IP-STB	Tile bridge for IP-SA not for use with enclosure
IP-STBE	Tile bridge for IP-SA includes enclosure