



AP-S15HRIP / AP-S15IP / AP-S158IP IP Power Distribution Systems



AP-S15HRIP



AP-S15IP



AP-S158IP



AP-LEDIP

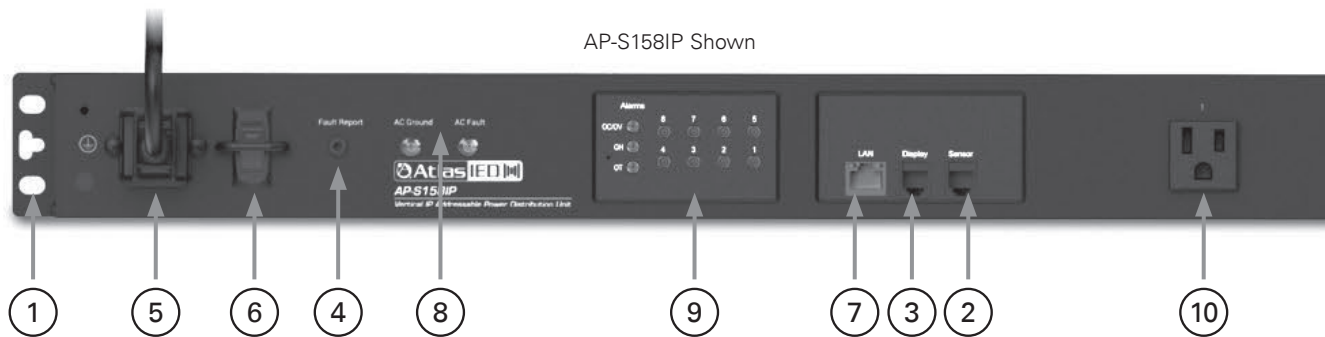
AP-S15HRIP / AP-S15IP / AP-S158IP

Quick Start Guide

Introduction

Thank you for purchasing this AtlasIED IP power distribution system. This document is designed to provide a high-level overview of the IP power distribution system product family including common features to all models. AtlasIED recommends visiting www.atlasied.com and downloading the full manual for the model purchased. The AP-IP discovery software and other related guides for the AtlasIED AP-IP power distribution systems can also be downloaded.

Note: AtlasIED requires that AP-IP power distribution systems be installed by a qualified electrician or IT technician. The manual must be read in its entirety before starting the installation. The AtlasIED AP-IP power distribution systems meet the Californian law SB-327. Each unit has a unique password assigned to it for logging into the device. The AP-S15HRIP is a LAN (Local Area Network) device and requires a secured firewall for network operation. AtlasIED recommends consulting an IT specialist before installation.



Unit Features and Installing the AP-IP Power Distribution System

- Rack Mount Ears** - Install the power strip rack ears (if applicable) and secure the unit in an equipment rack. **Note:** The AP-S15HRIP is shipped with a rack mount kit so it can be rack mounted into an AtlasIED wall mount half rack or a 19" rack. It can be mounted alone or with any AtlasIED half width products such as the DPA-102PM, PA40G / PA60G, or MA40G / MA60G in a 19" 1RU space. (Notes 2 & 3 on page 11)
- Temperature / Humidity Probe Port** - Install the temperature / humidity probe in the rear port marked "Sensor". **Note:** The unit will not function without the temperature probe installed. The front panel alarm LEDs will flash indicating the probe is not installed.
- External Display Port** - Install the remote LED data display into the rear port marked "Display". **Note:** Installation is not required for operation. This remote AP-LEDIP magnetic data display comes with a 10ft cable so it can be placed on the rack where data viewing is preferred. This display can show AC mains voltage, current, rack temperature and humidity. The preferred data value to be shown can be set in the WEB interface. The other readings can be accessed by pressing the data display viewing switch located on the front of the display. One of the main features is the display of the IP address assigned to the power strip. Press and hold the data display viewing button and the assigned IP address will scroll.
- Fault Cable** - Install the fault report cable in the 3.5mm port marked "Fault Report". The cable is a 2-conductor 3.5mm wire with bare ends allowing it to interface with an external device that supports contact closure GPIO. The port is normally closed (NC) when the unit is active and opens when the AC power goes off or if an alarm fault is detected such as voltage, current, temperature or humidity. **Note:** Installation is not required for operation.
- IEC Power Socket** - Install the power cord and retainer clip.
- Power Switch** - When in the On position the switch will illuminate red.
- Ethernet Cable** - Install and connect to LAN (Local Area Network).
- AC Ground Indicator** - When the units power switch is On position and the AC Ground indicator is illuminating red, it means the power strip does not have a sufficient earth ground for safe operation. In some cases, we have found that use of a non-factory power cord can cause faults. We recommend using the power cord that is shipped with the unit. If the factory power cord has been found to be working correctly and the Ground Fault indicator is still illuminating, the AC mains outlet the power strip is plugged into does not have a sufficient earth ground. This AC outlet should be checked by an electrician.
- Status Indicators** - Refer to the Alarm Indicators, Front Panel Switches and Turning On the Unit sections.
- 120V AC Mains Outlet** - If the outlet indicator is illuminated green, the outlet has AC power present.

AP-S15HRIP / AP-S15IP / AP-S158IP

Quick Start Guide

Opening the Carton

Each carton contains:

- AP-IP power distribution system
- Rack ears & screws (Except AP-S158IP)
- Power cord
- Power cord retainer clip & screws
- Temperature / humidity sensor probe
- Fault cable and a data display

Note: Do not plug the unit into an AC mains source until the following steps have been completed:

Connecting to an AC Mains Source

1. Installation must be done by a qualified electrician or IT technician.
2. Connect only to a 15A NEMA5-15 outlet. Any modification of the AC plug will void the warranty.
3. Using the supplied AC cord, if the unit's power is switched On and the AC Ground indicator is illuminating red, it means the power strip does not have a sufficient earth ground. Shut off power and have an electrician check the outlet you plugged into for proper earth-grounding.



Power cord image showing proper orientation of retainer clip and screws

Alarm Indicators, Front Panel Switches, and Turning On the Unit

1. Ensure no equipment is connected to the power distribution system.
2. Place the power switch in the On / up position. The switch will illuminate red.
3. Both the AC Ground & AC Fault LEDs should be off. If either of these indicators are illuminated, stop the installation and refer to the manual.
4. Factory default on - The power distribution system is programmed from the factory to sequence on all the outlets from 1 to 5 or 8 depending on the model. Each outlet has an associated indicator located on the front of the unit that is specific to the numbered AC outlet. These indicators will illuminate green when the associated numbered AC outlet is active and will have AC volts present.
5. Individual AC outlet On / Off indicators can also turn an output on or off. Press the switch firmly to activate. Factory default is set so the switches are active but can be disabled in the WEB Interface.
6. The AP-IP Power strips do not require a network to operate. It is needed for programming, remote monitoring, to run a scheduled sequence or to execute the auto ping feature. Each outlet can be turned On / Off manually. The Over / Under Voltage, Over Current, Humidity Warning, Temperature Warning, Remote Fan Colling and Spike / Surge protection work without a network connection.

AP-S158IP Shown



Accessing the Unit's WEB User Interface

Each AtlasIED AP-IP power distribution system includes a unique set of features and configurations. Ethernet connectivity is not required for basic operation, but to take full advantage of the settings such as alarms, sequence timing, and scheduling, the AP-IP power distribution system's control panel must be accessed via the LAN (Local Area Network) or local computer. External software is not required for operation. The software is embedded in the power distribution system in what is called the Web browser GUI control panel interface. Follow the steps listed below to access the onboard Web control panel.

1. All AtlasIED AP-IP power distribution systems ship (factory default) in DHCP mode.
2. Plug a Cat5/6 cable into the unit's LAN Ethernet port and then into a router that is set to DHCP. The router will issue an IP address to the AP-IP Power Strip. The assigned IP address is the specific location of the unit on the network. This address will allow access to the unit's Web GUI interface.

AP-S15HRIP / AP-S15IP / AP-S158IP

Quick Start Guide

Finding the IP Address

Using the AP-LEDIP external display is the fastest way to discover the IP Address. Plug the AP-LEDIP display into the AP-IP power distribution system's display port. Press and hold down the viewing selection button until the IP address starts to scroll across the display. An IP address example would be 192.168.1.128. Write down the IP address number to enter it later into a Web browser. **Note:** IP Discovery software is also available at www.atlasied.com. For specific IP address operation refer to the manual. **Note:** The LED display can show AC mains voltage, current, rack temperature, rack humidity or the IP address. Press the button on the front of the display to cycle through the display modes to access the different data screens.

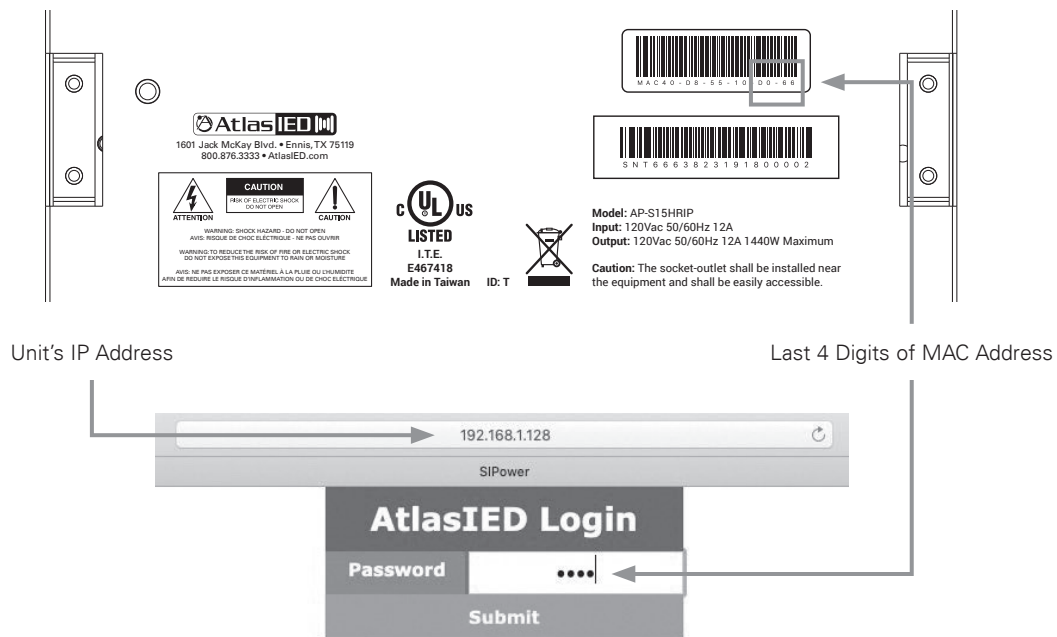


Magnetic display can be placed outside of the door when closed. Press and hold the button to display the IP Address. Press once to change the display data.

Logging Into the Unit

To access the unit's Web GUI, open a web browser like Google Chrome®, Microsoft® Edge® or Safari®. Each unit has a unique password assigned to it. Enter the unit's factory default password as show in the illustration below. The password is the last 4 digits of the MAC address. Find the MAC address label on the chassis. **Example:** A MAC address looks like (40-D8-55-10-D0-66). Input D066 (No dash) as the password to access the unit.

Note: For "0" equals zero. Passwords can be changed in GUI.



AP-S15HRIP / AP-S15IP / AP-S158IP

Quick Start Guide

Web GUI User Interface

There are 5 pages to the AP-IP Power Strip WEB Interface: Status, Alarm Settings, Schedule Setting, Network Settings and Configuration settings.

Note: It is very important to select Save after each entry or configuration change or the information will not be applied.

- **Status Page** - The Status page is also the home landing page. Use this page to monitor the AC Mains Voltage, Current, Temperature, and Humidity, as well as view alarm status. Each AC Outlet can be individually controlled to be On or Off, along with triggering a system On / Off sequence.
- **Alarm Page** - This device has multiple system alarms that can trigger a visual or mechanical alarm warning. Specific alarm settings can be set for Temperature, Humidity, Current, and Over / Under AC Mains Voltage. Each alarm can be enabled or disabled. An alarm activity log shows the history of when a alarm was activated.
- **Scheduler Page** - Each outlet can be set to be On or Off all of the time, or it can be assigned to a timed 24/7 schedule individually or as part of a group sequence.
- **Network Settings Page** - This page allows for configuring DHCP or Static IP mode. **Note:** The unit is set to DHCP mode out of the box. Each outlet has individual IP monitoring ability. Any network equipment that is connected to the same network can have an auto ping monitored for operation. Each outlet can be configured to receive an auto ping test, and if no response is received from the monitored product, the associated outlet will be rebooted. The unit's password can be changed. A factory reset can also be performed.
- **Configuration Page** - On this page several unit settings can be configured such as customizing the units or individual outlet names, and assigning an outlet to a grouped management. The front panel outlet On / Off switches can be disabled. Rack temperature can be monitored, and if needed, a fan can be assigned to an outlet and configured to come on at specific temperature. The external LED display viewing can be configured. Delay Sequencing between outlets can be set from 1 second to 99 seconds.

Important Programming Tips

1. On the left side of the GUI there are access buttons to the following pages: Status, Alarm, Scheduler, Network Settings and Configuration. Navigate through each page to get familiar with it, then start programming.
2. Each page & section has a SAVE button. Don't forget after each entry to select SAVE or the settings will not be applied.
3. Read all information notes on each page. This will be helpful understanding why certain features may be grayed out. Some features cannot be assigned to multiple functions. **Example:** Outlet 8 for the AP-S15IP & AP-S158IP cannot be assigned to grouped sequence or to 24/7 schedule if assigned to the fan feature.
4. It is important to refresh the Web browser to be assured current data is being viewed. Web browsers have a cash memory and need to be refreshed to clear the cash memory and reload the data.

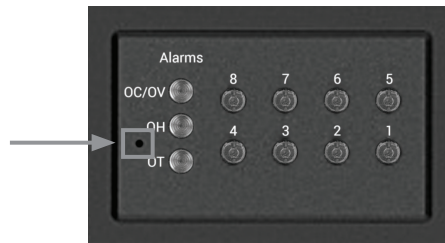
AP-S15HRIP / AP-S15IP / AP-S158IP

Quick Start Guide

Factory Reset Switch

The Factory Reset switch is located in the front panel as indicated in the picture below. Insert a small object like a paper clip into the hole to access the switch. Gently press and hold the switch inward for 3 seconds, then release. The unit's outlets and display will shut off and turn back on indicating the Factory Reset was successful. The Factory Reset switch will reset all functions that were previously programmed and will also reset the unit to accept DHCP IP address. **Note:** Any custom passwords will be replaced by the last 4 digits of the MAC address. Refer to the section **Logging Into the Unit** for details.

AP-S158IP Shown



Plugging Equipment Into An Outlet

After the unit has been installed in a rack, equipment can be connected to it. There are a few things to consider before starting. **Note:** The AtlasIED IP power distribution systems must be installed by qualified technician. If unit is plugged into an A/C outlet and the Ground Status Indicator is lit Red, this means the outlet does not have an acceptable earth ground. Before proceeding, have an electrician correct the outlet ground wiring. Visit atlasied.com to obtain an installation manual. Read the manual entirely before proceeding with the installation of this product.

1. Total current draw of the power strip cannot exceed 12A continuous signal or 15A IT / Audio applications or the AC Mains 15A Breaker may trip. Every product should have a current draw rating, add up all the equipment's total current and make sure it doesn't exceed 1440W.
Note: Pay special attention to audio amplifiers, they typically consume the most power compared to processors or controllers.
2. Audio amplifiers should turn on last, and off first in a sequence.
3. If a computer or router needs to be on all of the time, an outlet can be programmed to stay on for that operation.

Rack Mounting the AP-S15HRIP

A rack kit is included with the purchase of the AP-S15HRIP. The AP-S15HR width fits most rack cabinets that are classified as half-width. There are no industry standards for these types of racks and rack widths may vary between manufactures. The AP-S15HRIP can be mounted into an AtlasIED wall mount half-width rack or a 19" rack. The AP-S15HRIP can be mounted with any AtlasIED 1/2 RU products or mounted alone, but requires a rack mount kit. For half rack designs there needs to be a minimum distance of 9.25" between rails. AtlasIED recommends checking the distance between the rack rail opening before proceeding. **Note:** Two AP-S15HRIP units cannot be mounted side by side.

Kit Contains

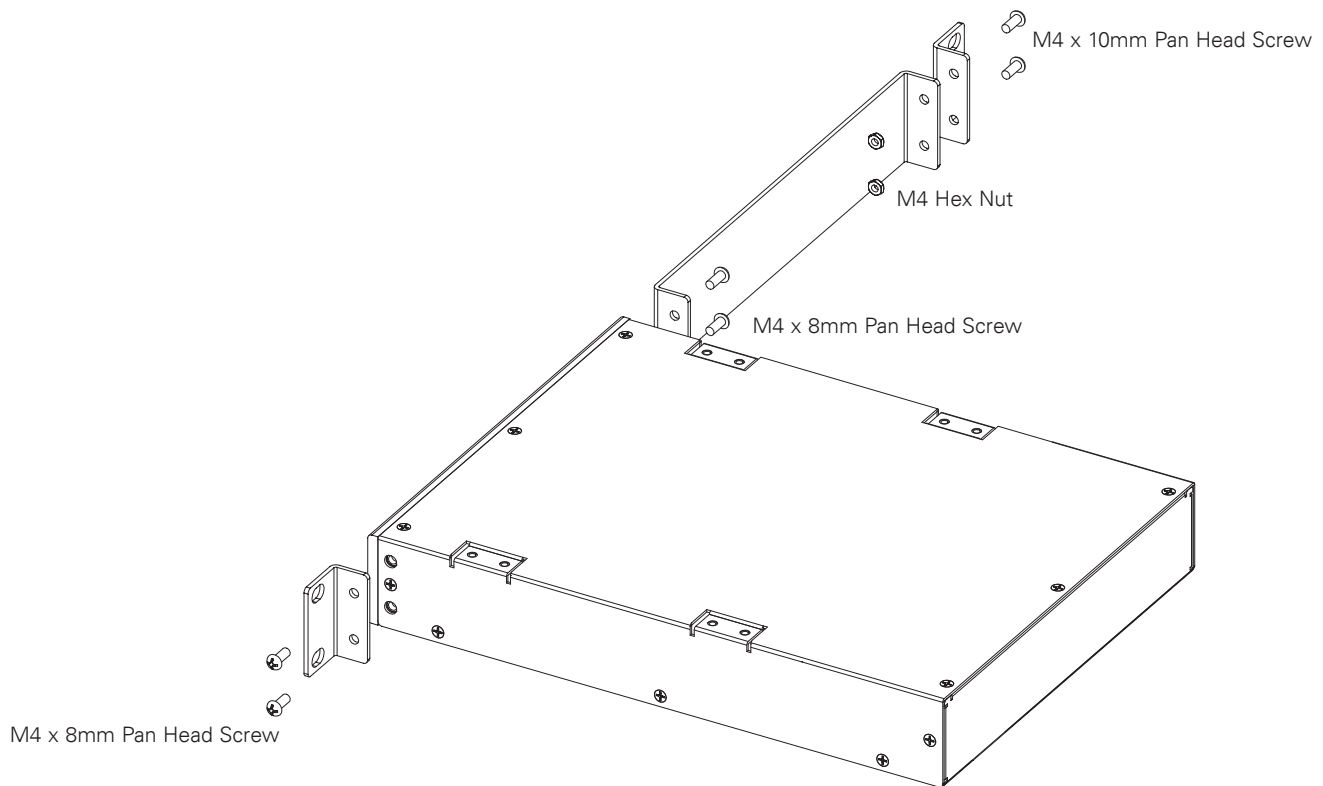
- Qty 2 Rack ears
- Qty 8 M4 x 8mm Pan head rack ear screws
- Qty 1 Rack extension plate for single unit mounting
- Qty 2 M4 x 10mm pan head black screws to combine extension plate to rack ear
- Qty 2 M4 hex nuts for screws to secure screw to extension plate and rack ear
- Qty 2 Top joiner plates
- Qty 8 4-40 x 3/8 flat head black screws to secure top joiner plate
- Qty 1 Front panel joiner plate
- Qty 2 4-40 x 3/8 flat head black screws to secure front panel joiner plate

AP-S15HRIP / AP-S15IP / AP-S158IP

Quick Start Guide

Configuration 1 - Mounting a Single 1 RU Model

1. Remove amplifier from electrical source.
2. Remove the four feet.
3. Align and secure the chassis extension plate to a rack mount ear with the enclosed screws and nuts.
4. Locate the two open holes on each side of the amp located towards the front panel.
5. Align the enclosed rack mount ear and extension assembly to the chassis holes located in step 4.
6. Use the enclosed chassis screws to attach the rack ears and extension assembly to the chassis. Secure firmly, do not over tighten. Repeat step for opposite chassis side.
7. Disregard extra pieces.
8. Ready for rack installation. **Note:** It is important the amplifiers have the proper clearance around it for proper heat dissipation. Always allow at least 1.75" around the amplifier for to assure safe operation. Never mount an amplifier in an enclosed air tight rack. All racks must have air vents on all sides or forced air cooling to assure proper heat dissipation.



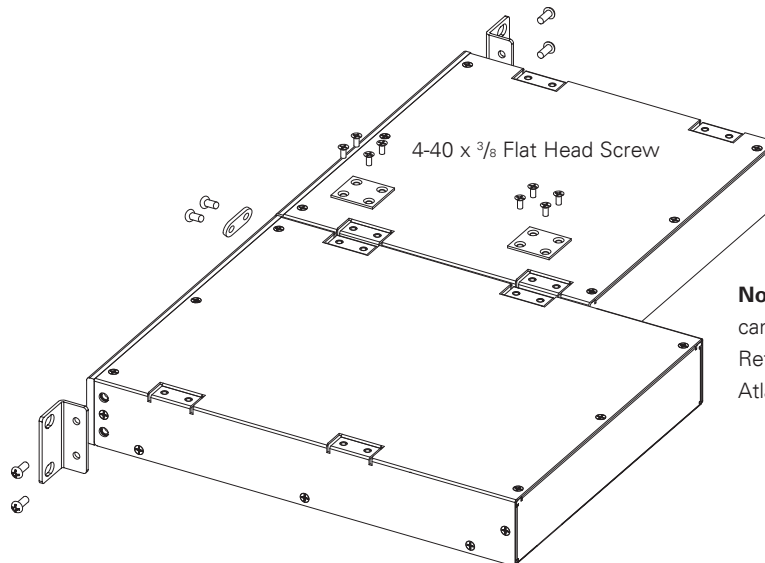
AP-S15HRIP / AP-S15IP / AP-S158IP

Quick Start Guide

Configuration 2 - Mounting 2 1RU Models

Note: Not all 1RU half rack models can be joined next to each other. The following combinations can be joined: ASP-MG2240, DPA102PM, MA40G, MA60G, PA40G, PA60G, AP-S15HR, AP-S15RTHR, and AP-S15HRIP are interchangeable. **Note:** Two AP-S15HR units cannot be rack mounted together side-by-side. Call AtlasIED for other models not listed.

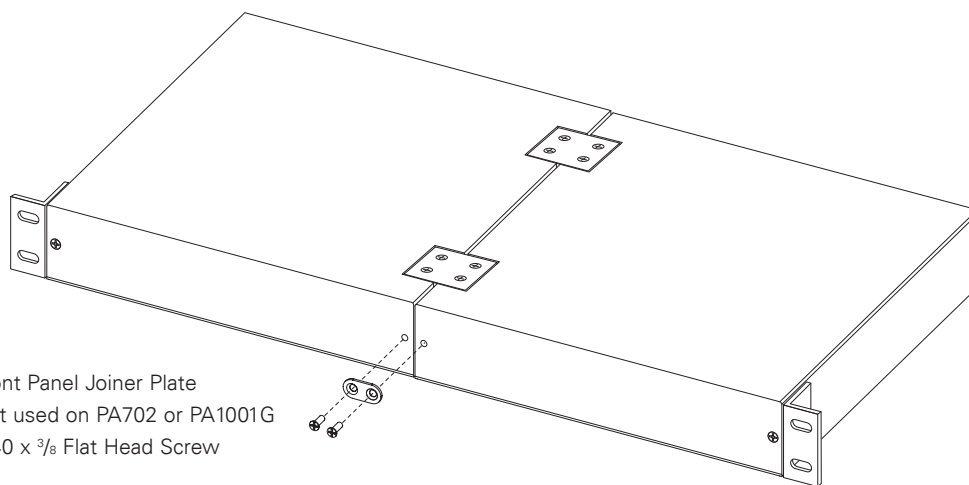
1. Remove amplifier from electrical source.
2. Remove the four feet.
3. Align and secure two chassis joiner plates with the enclosed screws to the top of units. **Note:** Must install both plates, one towards the front and one towards the back.
4. Locate the two open holes on each side of the amp located towards the front panel.
5. Align the enclosed rack mount ear to the chassis holes located in step 2.
6. Use the enclosed chassis screws to attach the rack ears to the chassis. Secure firmly, do not over tighten. Repeat step for opposite chassis side.
7. Install the front panel joiner plate using the two 4-40 x 3/8 flat head black screws. **Note:** The front panel joiner plate can be removed after the unit is installed in the rack.
8. Disregard extra pieces.
9. Ready for rack installation. **Note:** It is important the amplifiers have the proper clearance around it for proper heat dissipation. Always allow at least 1.75" around the amplifier for to assure safe operation. Never mount an amplifier in an enclosed air tight rack. All racks must have air vents on all sides or forced air cooling to assure proper heat dissipation.



Note: Not all 1RU half rack models can be joined next to each other. Refer to the list above or call AtlasIED Customer Service.

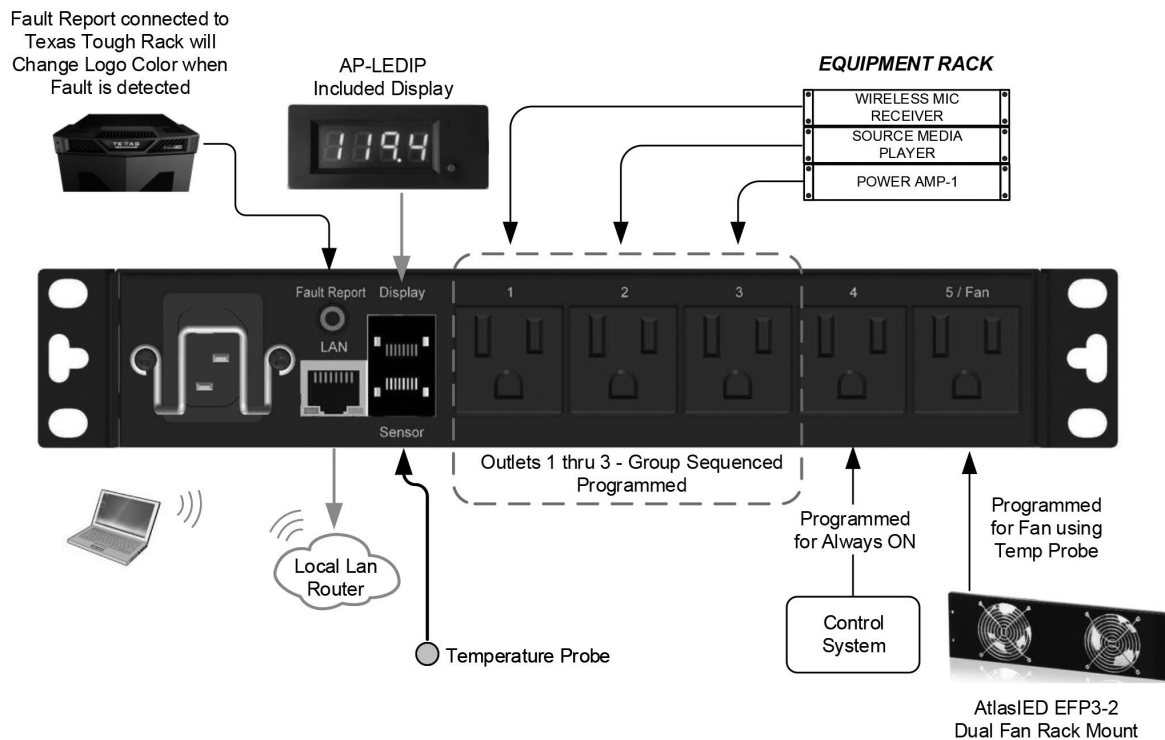
AP-S15HRIP / AP-S15IP / AP-S158IP

Quick Start Guide



Front Panel Joiner Plate
 Not used on PA702 or PA1001G
 4-40 x 3/8 Flat Head Screw

AP-S15HRIP System Diagram Example



AP-S15HRIP / AP-S15IP / AP-S158IP

Quick Start Guide

System	
Type	Networked AC Power Distribution Conditioner & Suppressor
Load Rating	Max Load 15A (1800W), Rated Load 12A (1440W)
Network Type	LAN, WEB User Interface (Note 1)
Panel	
Activation Switch	Rocker with Security Bar
Circuit Breaker	15A Resettable Power Switch
Outlet On / Off Switches	Momentary Manual
AC Outlets	NEMA5-15R Switched (Programmable), Qty 8 (AP-S15HRIP Qty 5) Note: Outlet 8 Can Be Used to Activate a Fan Triggered by Temperature Range of On: 51° - 176°F / Off: 50° - 175°F
AC Mains IEC Power Socket	IEC NEMA 5-15P 15A 1800W with Power Cord Retainer
LAN Port	RJ45, Ethernet Port
Temp / Humidity Port	RJ14, Temperature, Humidity Probe, 2M, Probe Included
Display Port	RJ25, for AP-LEDIP Display for Voltage, Current, Temperature, Humidity, IP Address
Fault Report Port	3.5mm Jack, Fault Reporting Contact Closure, Normally Closed & Opens During Fault State, Cable Included
GPIO Fault Relay Port	Fault Relay Interface, Temperature, Humidity, Over & Under Voltage, Over Current, Surge, Cable Included
Indicators	
Power On Indicator	Power Switch LED, Red
Outlet Status Indicators	Green, Qty 8 (AP-S15HRIP Qty 5)
Over Temperature Alarm Indicator	Red, Programmable Range 50° - 176°F , 10° - 80°C
Over Humidity Alarm Indicator	Red, Programmable Range 15 - 95%
Over Current / Voltage Alarm Indicator	Red, Programmable Range High - Voltage 100V - 140V, Under Voltage 80V- 120V
AC Fault Indicator	Red, Illuminates When Surge Protection is Damaged
AC Ground Indicator	Red, Illuminates When Earth Ground Is Bad
User Interface and Configuration	
Web Interface	HTTP Protocol, XML Commands Available
Status	Voltage, Current, Temperature, Humidity, Spike Protection, Ground Fault, Outlet Status
Alarms	Voltage Hi / Lo, Current, System Temperature, Humidity, Fault Log
Scheduler	24 / 7, Group Schedule or Individual Outlet Schedule
Network	LAN Base, DHCP or Static IP, Individual Outlet Auto Ping Reset (Note 1)
Sequence Delay	One Setting Between Outlets, 1 Second-99 Seconds
Configuration	Outlet Renaming, Group Assignment, Temperature Activated Outlet
Technical Data	
Max AC Mains Current	12A, 1440W
Operating Voltage	100VAC - 132VAC
Power Consumption	8-Watts
Noise Attenuation RFI	10dB @ 10kHz / 40dB @ 100kHz / 100dB @ 10MHz
Min. Spike Clamping Voltage	460VRMS @ 3000A
Max. Spike Clamping Voltage	6000V, 1 nanosecond
Spike Clamping Voltage @ 100A	1250Vp for 20µs
Maximum Surge Current	6,500A
Energy Rating @ 2ms	600 Joules
Unit Operating Temperature Range	40° - 105°F, 5° - 40.5°C
Humidity Range	5% to 95% Relative Humidity
Fault Reporting	Web, GPIO Contact Closure (Closed During Normal Operation, Opens During Fault Condition), API-Commands

AP-S15HRIP / AP-S15IP / AP-S158IP

Quick Start Guide

Mechanical	
Chassis Finish	Black
Product Dimensions (HxWxD)	AP-S158IP - 2.24" x 40.5" x 3.33" (57mm x 1029mm x 85mm) AP-S15IP - 1.75" x 19" x 7.35" (45mm x 481mm x 187mm) AP-S15HRIP - 1.75" x 8.83" x 8" (45mm x 224mm x 204mm) - Width with Rack Ears 10.4" (267mm) (Note 2)
Shipping Dimensions (HxWxD)	AP-S158IP - 6.25" x 42" x 5" (159mm x 1066mm x 127mm) AP-S15IP - 5" x 18.7" x 10.6" (129mm x 475mm x 269mm) AP-S15HRIP - 3.5" x 12.12" x 11.5" (90mm x 308mm x 290mm)
Unit Weight	AP-S158IP - 3.6 lbs. (1.63kg) AP-S15IP - 5.5 lbs. (2.5kg) AP-S15HRIP - 3.5 lbs. (1.6kg)
Shipping Weight	AP-S158IP - 6 lbs. (2.7kg) AP-S15IP - 7.72 lbs. (3.5kg) AP-S15HRIP - 5.5 lbs. (2.5kg)
Package Contents	Temperature / Humidity Probe, Fault Interface Probe, 2m 14-Gauge IED Power Cord, IEC Power Cord Retailer Bracket, AP-LEDIP Display, Qty 1 Each, Rack Mount Kit for 1/2 Width & 19" Racks (Note 3)
Agency Approvals	
Safety Listing	North America UL60950-1, CAN/CSA C22.2 No. 60950-1, UL1449

Note 1: The AP-S15HRIP, AP-S15IP, and AP-S158IP meet the Californian law SB-327. Each unit is shipped with a unique password that can be changed for accessing the device over the network. They are LAN (Local Area Network) devices and require a firewall or VPN for secure connection outside the network operation. AtlasIED recommends consulting an IT specialist for best network security practices before installation.

Note 2: The AP-S15HRIP fits most rack cabinets that are classified as half-width. There are no industry standards for these types of racks and rack widths may vary between manufactures. AtlasIED recommends checking the distance between the rack rail opening before proceeding.

Note 3: The AP-S15HRIP can be mounted into an AtlasIED wall mount half-width rack or a 19" rack. The AP-S15HRIP can be mounted with any AtlasIED 1/2 RU products or mounted alone, but requires a rack mount kit. **Note:** Two AP-S15HRIP units cannot be mounted side by side.

AP-S15HRIP / AP-S15IP / AP-S158IP

Quick Start Guide Limited Warranty

All products manufactured by AtlasIED are warranted to the original dealer/installer, industrial or commercial purchaser to be free from defects in material and workmanship and to be in compliance with our published specifications, if any. This warranty shall extend from the date of purchase for a period of three years on all AtlasIED products, including SOUNDOLIER brand, and ATLAS SOUND brand products except as follows: one year on electronics and control systems; one year on replacement parts; and one year on Musician Series stands and related accessories. Additionally, fuses and lamps carry no warranty. AtlasIED will solely at its discretion, replace at no charge or repair free of charge defective parts or products when the product has been applied and used in accordance with our published operation and installation instructions. We will not be responsible for defects caused by improper storage, misuse (including failure to provide reasonable and necessary maintenance), accident, abnormal atmospheres, water immersion, lightning discharge, or malfunctions when products have been modified or operated in excess of rated power, altered, serviced or installed in other than a workman like manner. The original sales invoice should be retained as evidence of purchase under the terms of this warranty. All warranty returns must comply with our returns policy set forth below. When products returned to AtlasIED do not qualify for repair or replacement under our warranty, repairs may be performed at prevailing costs for material and labor unless there is included with the returned product(s) a written request for an estimate of repair costs before any nonwarranty work is performed. In the event of replacement or upon completion of repairs, return shipment will be made with the transportation charges collect.

EXCEPT TO THE EXTENT THAT APPLICABLE LAW PREVENTS THE LIMITATION OF CONSEQUENTIAL DAMAGES FOR PERSONAL INJURY, ATLASIED SHALL NOT BE LIABLE IN TORT OR CONTRACT FOR ANY DIRECT, CONSEQUENTIAL OR INCIDENTAL LOSS OR DAMAGE ARISING OUT OF THE INSTALLATION, USE OR INABILITY TO USE THE PRODUCTS. THE ABOVE WARRANTY IS IN LIEU OF ALL OTHER WARRANTIES INCLUDING BUT NOT LIMITED TO WARRANTIES OF MERCHANTABILITY AND FITNESS FOR A PARTICULAR PURPOSE.

AtlasIED does not assume, or does it authorize any other person to assume or extend on its behalf, any other warranty, obligation, or liability. This warranty gives you specific legal rights and you may have other rights which vary from state to state.

Service

Should your AP-IP Power Distribution System require service, please contact the AtlasIED warranty department at 1-877-689-8055, ext. 277 or atlasied.com/support to obtain an RA number.

AtlasIED Tech Support can be reached at 1-800-876-3333 or atlasied.com/support

Visit our website at www.AtlasIED.com to see other Atlas products.