



RCMR-15

15-Watt Mobile Communication Loudspeaker



RCMR-15

Specifications

Power Rating	15 Watts
Nominal Frequency	350Hz –13kHz
Sound Level	
RP/1M	116dB
1W/1M	105dB, (700Hz – 5.8kHz)
Dispersion	-120° (Angle Shown for -6dB, 2kHz Octave Band)
Impedance	8Ω
Diameter	7½" (191mm)
Depth	7¼" (184mm)

Architect and Engineer Specifications

Loudspeaker shall be Atlas Sound RCMR-15 or approved equal, designed to withstand ambient element and vibrant effects of vehicular or mobile application. Unit shall be of double re-entrant type weatherproof construction with 15 Watt power rating. Nominal frequency response shall be 350-1.3kHz. Sound pressure level to be 106dB (1W/1M), 116dB (15W/1M) measured 700-5800Hz. Horn dispersion shall be 120°. Voice coil shall be 8Ω, suitable for application with public address, two way radio/CB, electronic hailer, low power siren, or audio alarm amplifiers. A 10" connecting cable shall be provided. Unit to include a stationary mounting base and adjustable mounting bracket for pan and tilt positioning. Unit shall have a grey finish.

Features

- Durable, Weather-Resistant Loudspeaker for Vehicular Communications, Paging, and Intercom Systems
- 15 Watt Compression Driver for High Intelligibility Voice Transmission and Electronic Signaling
- Includes Both Stationary and Adjustable Bases

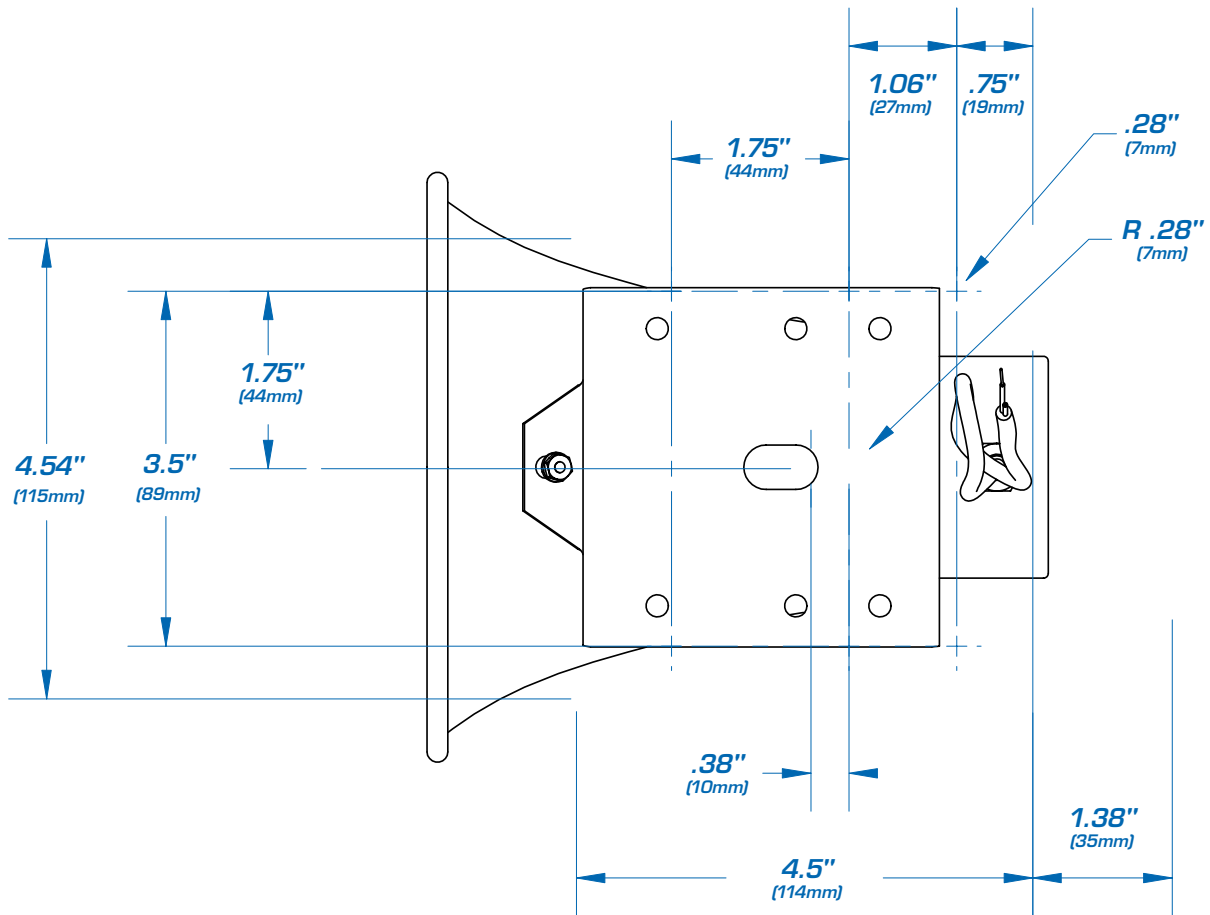
Applications

Utilize the Atlas Sound RCMR-15 loudspeaker wherever dependable service and excellent audio reproduction is required. The stationary base can be mounted on utility, municipal, maintenance/service, construction school, and public transportation vehicles. The adjustable base is ideal for manufacturing, warehouse, drive-in, and shipboard facilities.

General Description

The Atlas Sound RCMR-15 weather resistant loudspeaker extends communication, intercom, radio, telephone, alarm, and signaling systems in vehicular and industrial applications. This product has a high efficiency compression driver which concentrates the reproduction of sound in the voice and signaling frequencies. When used in conjunction with radio communications equipment, the RCMR-15 provides optimized frequency response in the voice band for maximum clarity.

©2011 Atlas Sound L.P. All rights reserved. Atlas Sound and Strategy Series are trademarks of Atlas Sound L.P. All other trademarks are the property of their respective owners. AT5002226 RevB 6/11



Stationary Mounting Bracket Dimensions

NOTE

To protect the RCMR-15 from excessive low frequency damage. Atlas Sound strongly suggest installing an electronic high pass filter (400Hz), either at the input to the amplifier or installing a 66UF non-polarized (50V) capacitor in line with the positive speaker terminal.