

HPG-100N

Rectangular Electronic Siren Loudspeaker 100 Watts @ 11Ω



Features

- Field-Replaceable Driver-Head Assembly
- 100 Watts RMS

Applications

The HPG-100N Siren Loudspeaker is utilized for high-powered transmission of electronic siren and voice communications in vehicular applications. It is suitable for installation within light bars, engine compartments, or for mounting in front of the radiator or on the bumper of any ambulance, law enforcement, fire, utility, or other public service vehicle.

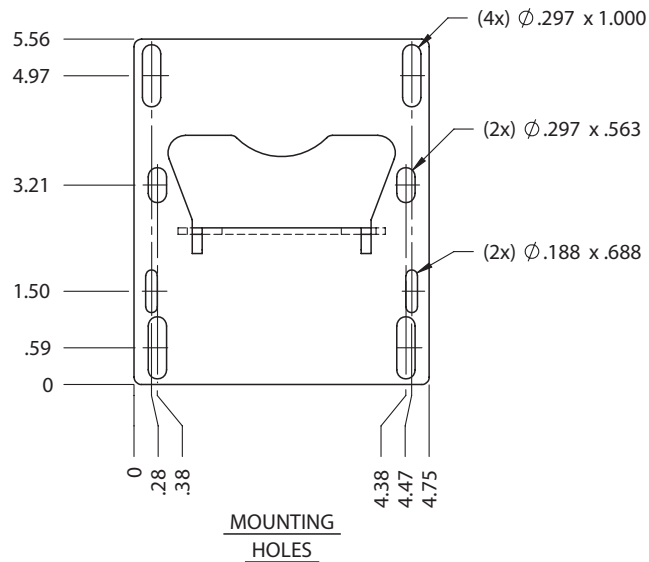
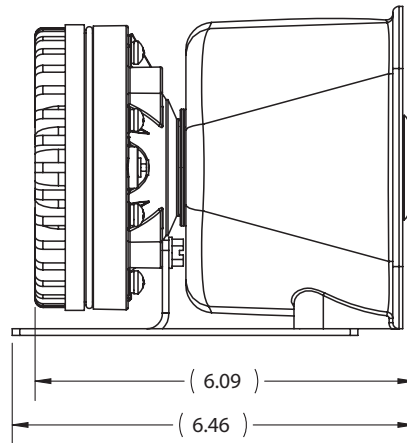
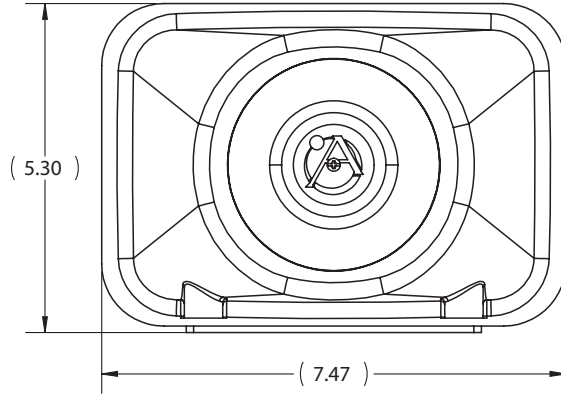
General Description

The HPG-100N is rated at 100 Watts RMS in electronic siren use and will provide a sound level output of 120dB (measured on appropriate electronic siren). It is furnished with a one piece, steel mounting bracket and has a field-replaceable driver-head assembly. Field terminations are via 20" (508 mm) 18-gauge, color-coded wire leads. Lead colors are red and black. The red lead is connected to the #2 positive driver terminal. (Replacement head assembly, Model K-100N, is available for field replacement of Model AS100N).

A patented, heavy-duty, one piece steel mounting bracket (U.S. patent #394,660) permits full axis orientation of the loudspeaker for preferred sound-projection directivity. The projector assembly is manufactured of plastic and finished in black. The driver is finished in black baked epoxy for optimum durability and corrosion protection. Units are shipped complete with all components and installation data for field installation. Replacement head assembly (Model K-100N) or driver assembly (Model AS100N) are available for field replacement.

Note: Product series is suitable for use with matched amplifier and control equipment in systems requiring AMECA (Automotive Manufacturer Equipment Compliance Agency, Inc. certification to General Services Administration specifications (KKK-A-1822E)

Dimensional Drawings



System	
Type	Rectangular Electronic Siren Louspeaker
Technical Data	
Power Rating	100 Watts RMS
Impedance	11Ω Nominal
Frequency Response	450 - 3800 Hz (±10dB) Nominal
Sound Level (Peak dBA)	111dB* 120dB**
Dispersion	80° x 105° (1 kHz Octave Band)
Mechanical	
Finish	Black Driver and Bell
Product Dimensions (HxWxD)	5.3" x 7.47" x 6.46" (135mm x 190mm x 164mm)
Shipping Dimensions (HxWxD)	6" x 10" x 7.5" (152mm x 254mm x 191mm)
Weight	7 lbs. (3.2kg)

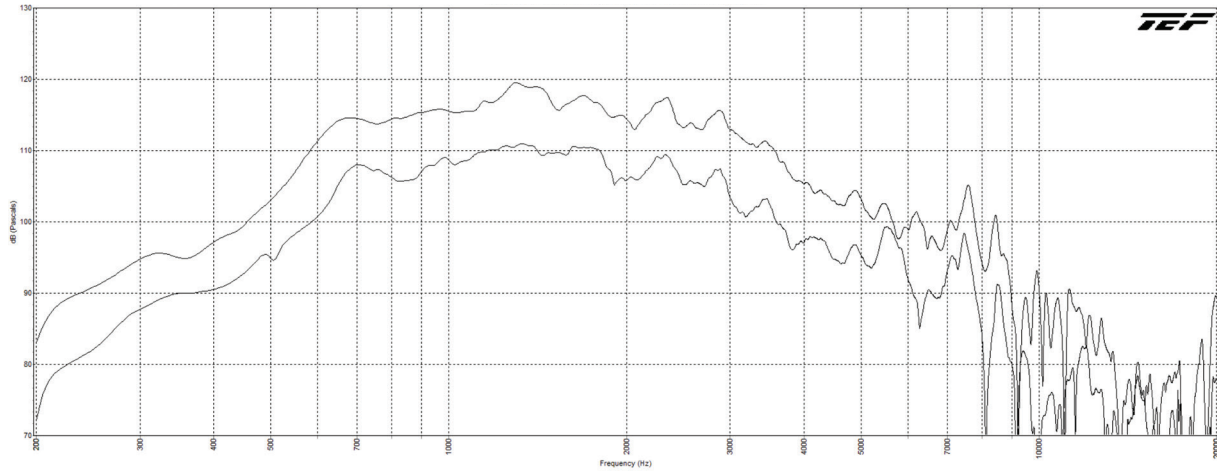
NOTES:

*Measured at 1 watt, 1 meter. (Ref.: .0002 dynes/cm2)

**Measured at 1400 Hz rated power, 3 meters on axis. (Ref.: .0002 dynes/cm2)

©2020 Atlas Sound L.P. The Atlas "Circle-A", Soundolier, and Atlas Sound are trademarks of Atlas Sound L.P. IED is a Registered Trademark of Innovative Electronic Designs LLC. All rights reserved. All other Trademarks are property of their respective owners. No endorsement is implied. Due to continual product development, specifications are subject to change without notice. ATSO04679 RevC 5/20

Frequency Response



©2020 Atlas Sound L.P. The Atlas "Circle-A", Soundolier, and Atlas Sound are trademarks of Atlas Sound L.P. IED is a Registered Trademark of Innovative Electronic Designs LLC. All rights reserved. All other Trademarks are property of their respective owners. No endorsement is implied. Due to continual product development, specifications are subject to change without notice. ATSO04679 RevC 5/20

Architect and Engineer Specifications

Siren loudspeaker shall be AtlasIED Model HPG-100N. Assembly shall be of the reflex type and include an 11 Ω compression driver. Power rating shall be 100 Watts RMS with a nominal frequency response range of 450 - 3800 Hz (\pm 10dB). Dispersion angle shall be 80° x 105° in the 1kHz octave band. Sound level shall be 120dB when measured at 1400 Hz rated power at 3 meters (ref: .0002 dynes/cm²). Unit shall be furnished with a steel mounting bracket and have a field-replacable driverhead assembly. Termination shall be complete via 20" (508mm) 18-gauge, color-coded leads.