

ALA5T(B)

Ultra-Compact, Passive Column Line Array Loudspeaker



ALA5T Front
Shown with Optional
Pole Mount



ALA5T-B Back
Shown with Optional
Pole Mount

Features

- Use In Fixed Install or Portable Applications
- 45° Vertical Coverage
- 135° Horizontal Coverage
- 70.7V or 8Ω Operation
- Five (5) Proprietary 3" Full Range Transducers
- Two (2) High Frequency Tweeters
- Barrier Strip and NL-4 Input Terminals
- Lightweight Aluminum Housing
- IP32 Weather Rating
- Available In Black or Silver Finish
- Wall Mount Bracket Included

Applications

- Challenging Acoustic Spaces
- Architecturally Sensitive Spaces
- Houses of Worship
- Transportation Hubs
- Retail Spaces
- Conference Rooms
- Lecture Theatres
- Gymnasiums
- Convention Centers
- Museums
- Stadium Concourses
- Multipurpose Venues

General Description

The ultra-compact ALA5T column line array loudspeaker delivers maximum performance in a minimum footprint and excels in applications that require excellent speech intelligibility. The ALA5T's transducer configuration combines five tight packed 3" full range drivers and two 22mm high frequency tweeters in an extruded aluminum housing to offer both durability and optimum sound reproduction. The lightweight and easy to install enclosure has contemporary aesthetics that are a compliment to any environment. The back of the enclosure incorporates vertical channels that accept the included wall mount allowing the installer to slide the mount to the location that provides the desired vertical tilt. An optional pole mount bracket enables the array to be used in applications coupled with a portable A-Line subwoofer system.

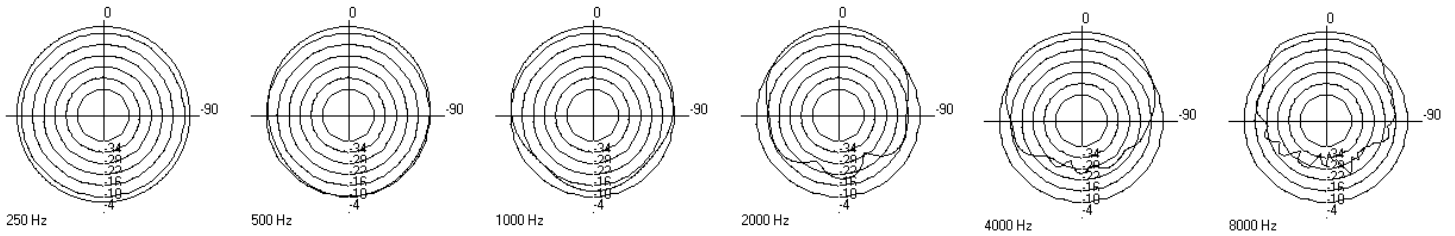
System	
Type	Full Range, Column Loudspeaker
Operation Mode	Non-Powered Passive
Operating Range (-10dB)	125Hz - 20kHz
Frequency Response (+/- 5dB)	137Hz - 20kHz
Input Sensitivity at 1W/1m	92 dB
Vertical Coverage	45° 800Hz - 4kHz
Horizontal Coverage	135° 800Hz - 4kHz
Max Input Ratings (8Ω)	125 W Continuous, 250 W Program 27.4 Volts RMS, 54.8 Volts Peak
Transformer Taps - 70V	60W, 30W, 15W, 7.5W and Low Impedance (8Ω)
Transformer Taps - 100V	60W, 30W, 15W and Low Impedance (8Ω)
Directivity Factor (Q)	9.3 @ 2kHz
Directivity Factor (DI)	9.68 @ 2kHz
Max SPL at 1 m (Passive)	113.8 dB Continuous 116.8 dB (Peak 8Ω)
Recommended Signal Processing	125Hz High Pass Filter
Recommended Power Amplification	375W at 8Ω
Transducers	
LF Transducer Qty and Size	5 x 3"
LF Voice Coil Size	20mm
HF Transducer Qty and Size	2 x 22mm
HF Voice Coil Size	20mm
Maximum Output	116.8 dB SPL (Peak 8Ω)
Nominal Impedance	8Ω
Minimum Impedance	4.8Ω @ 5.9kHz
Crossover Frequency	3500Hz
Enclosure	
Color	Chameleon Silver (RAL-7047) or Black
Enclosure Material	Extruded Aluminum
Grille Material	Powder Coated Aluminum, Silver (RAL-7047) or Black Finish
Baffle Material	Aluminum
Mount Material	Zinc Plated, Powder Coated CRS (Color Matches Enclosure)
Input Connection	Barrier Terminal For Transformer & 8Ω Inputs/ NL4 For 8Ω Input
Mounting/Rigging Provisions	Wall Mounting Hardware Provided
Ingress Protection	IP32
Logo	Silver on Black Removable
Product Dimensions (HxWxD)	16.61" (422mm) x 4.61" (117mm) x 5.43" (137.9mm)
Shipping Dimensions (HxWxD)	23.625" (600.08mm) x 8.125" (206.38mm) x 10" (254mm)
Net Weight	Unit w/ Wall Mount Bracket= 11.3 lbs. (5.13kg)
Shipping Weight	15.4 lbs (6.98kg)
Warranty Coverage	
Warranty Period	5 Years

NOTES:

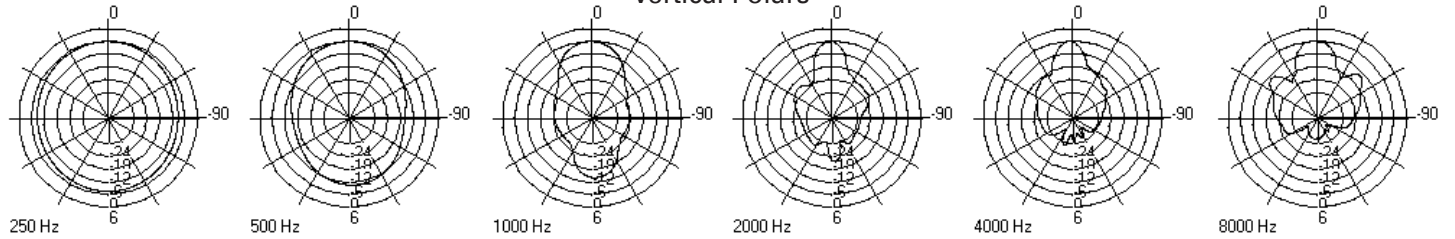
1. Sensitivity: Half space, 1 meter, 2.83 volts RMS.
2. Power: All power figures are calculated using the rated nominal impedance.
3. Frequency response and sensitivity are half-space measurements.
4. Recommended power amplification is 1.5X program power.

©2016 Atlas Sound L.P. and Innovative Electronic Designs, LLC. All Rights Reserved. Atlas Sound is a trademark of Atlas Sound L.P. IED is a registered trademark of Innovative Electronic Designs, LLC. All other trademarks are the property of their respective owners. All specs are subject to change without notice. ATS005393 RevA 2/16

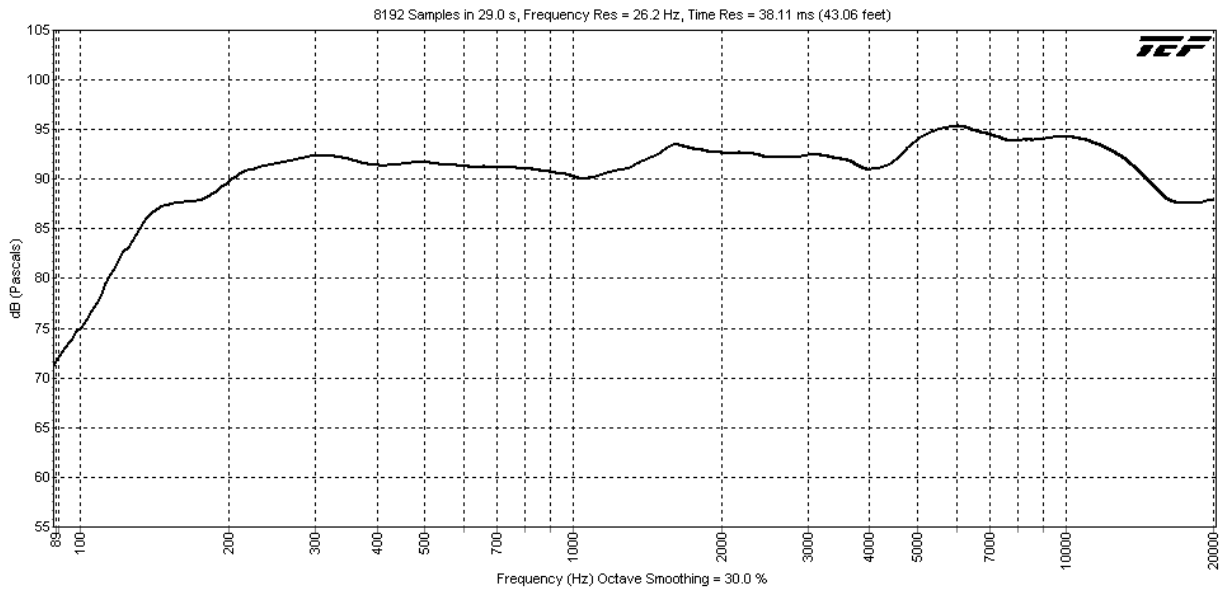
Horizontal Polars



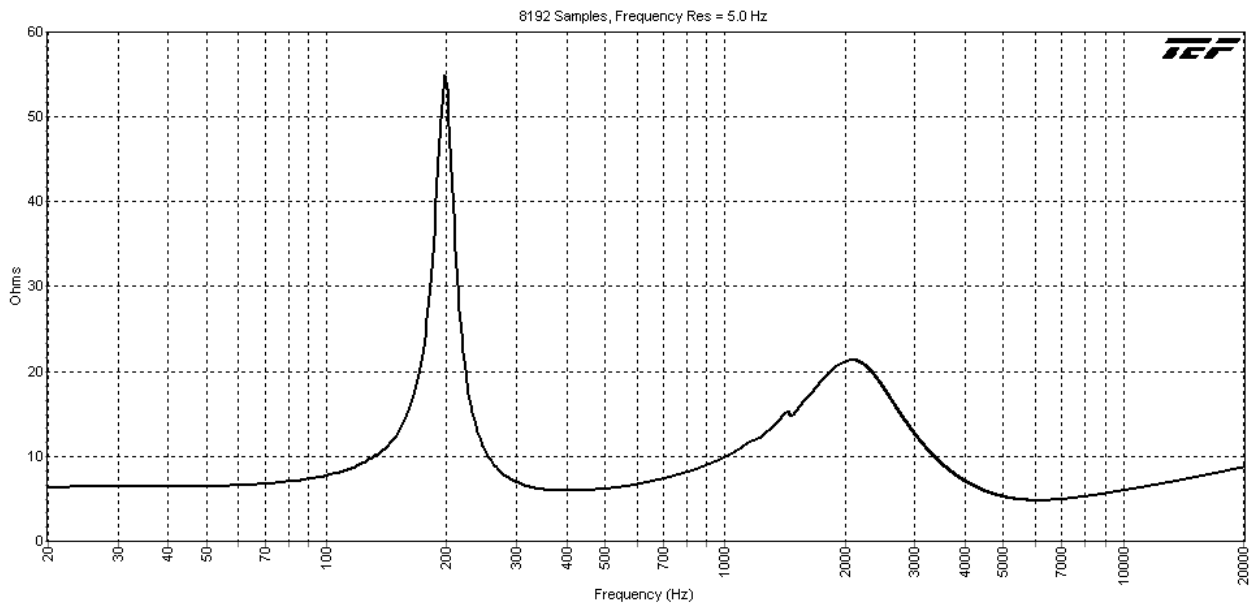
Vertical Polars



Frequency Response

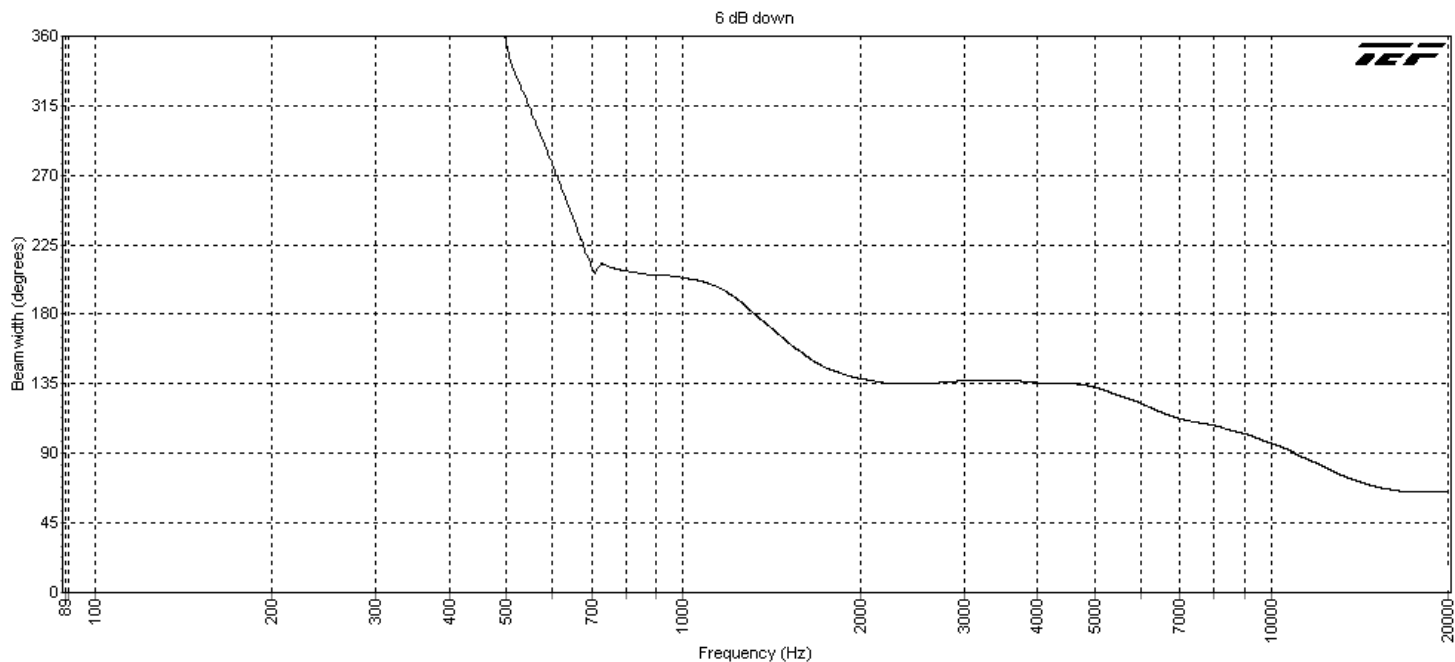


Impedance vs. Frequency Response

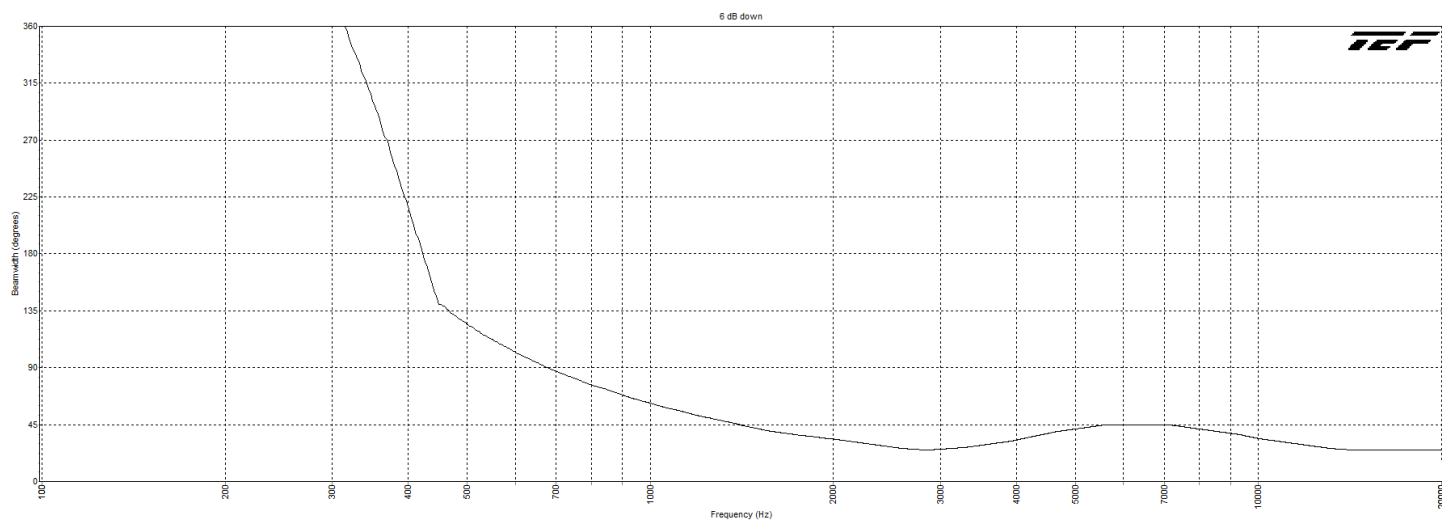


©2016 Atlas Sound L.P. and Innovative Electronic Designs, LLC. All Rights Reserved. Atlas Sound is a trademark of Atlas Sound L.P. IED is a registered trademark of Innovative Electronic Designs, LLC. All other trademarks are the property of their respective owners. All specs are subject to change without notice. ATS005393 RevA 2/16

Horizontal Beamwidth vs. Frequency Response

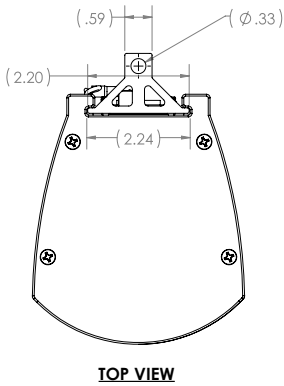
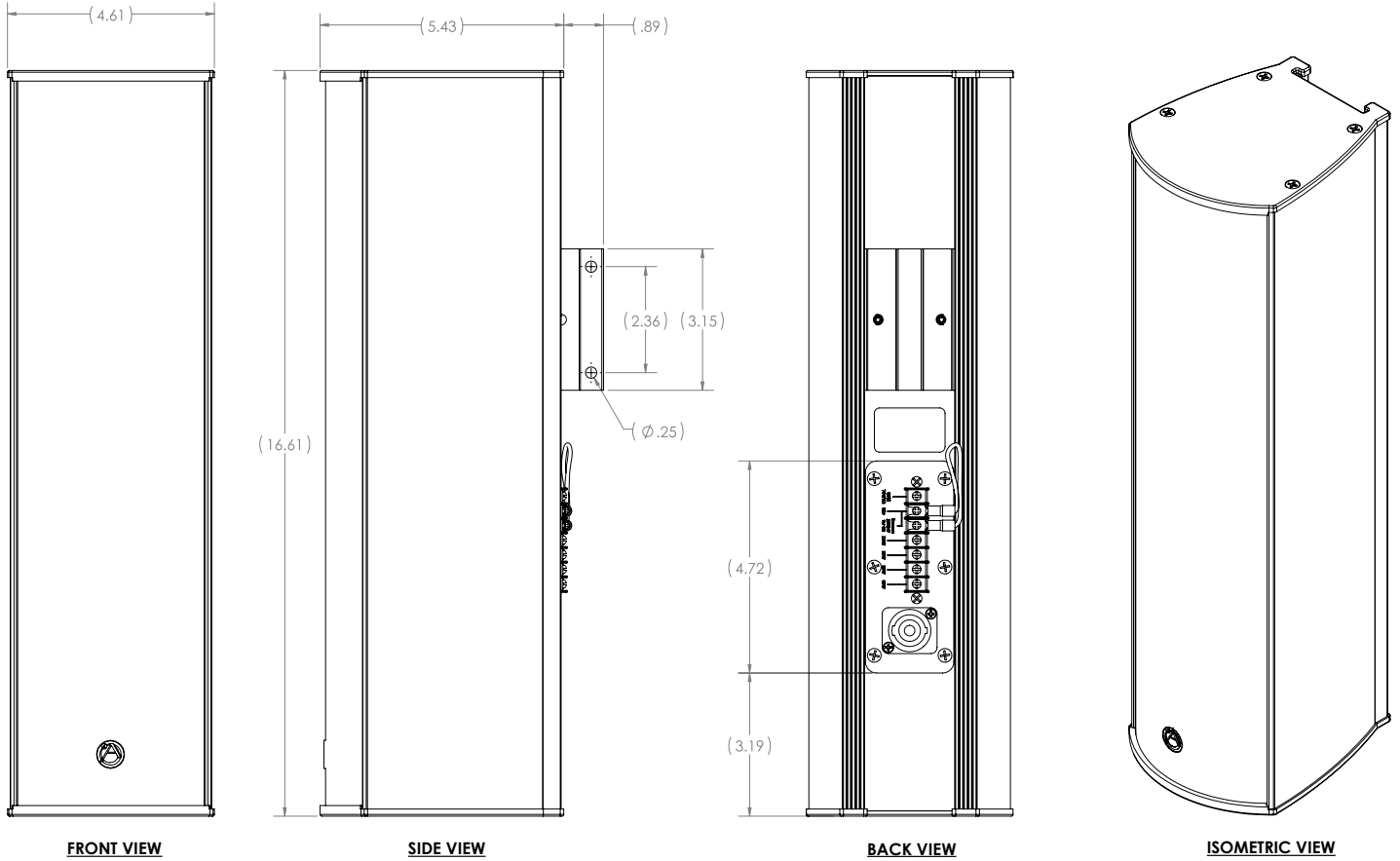


Vertical Beamwidth vs. Frequency Response



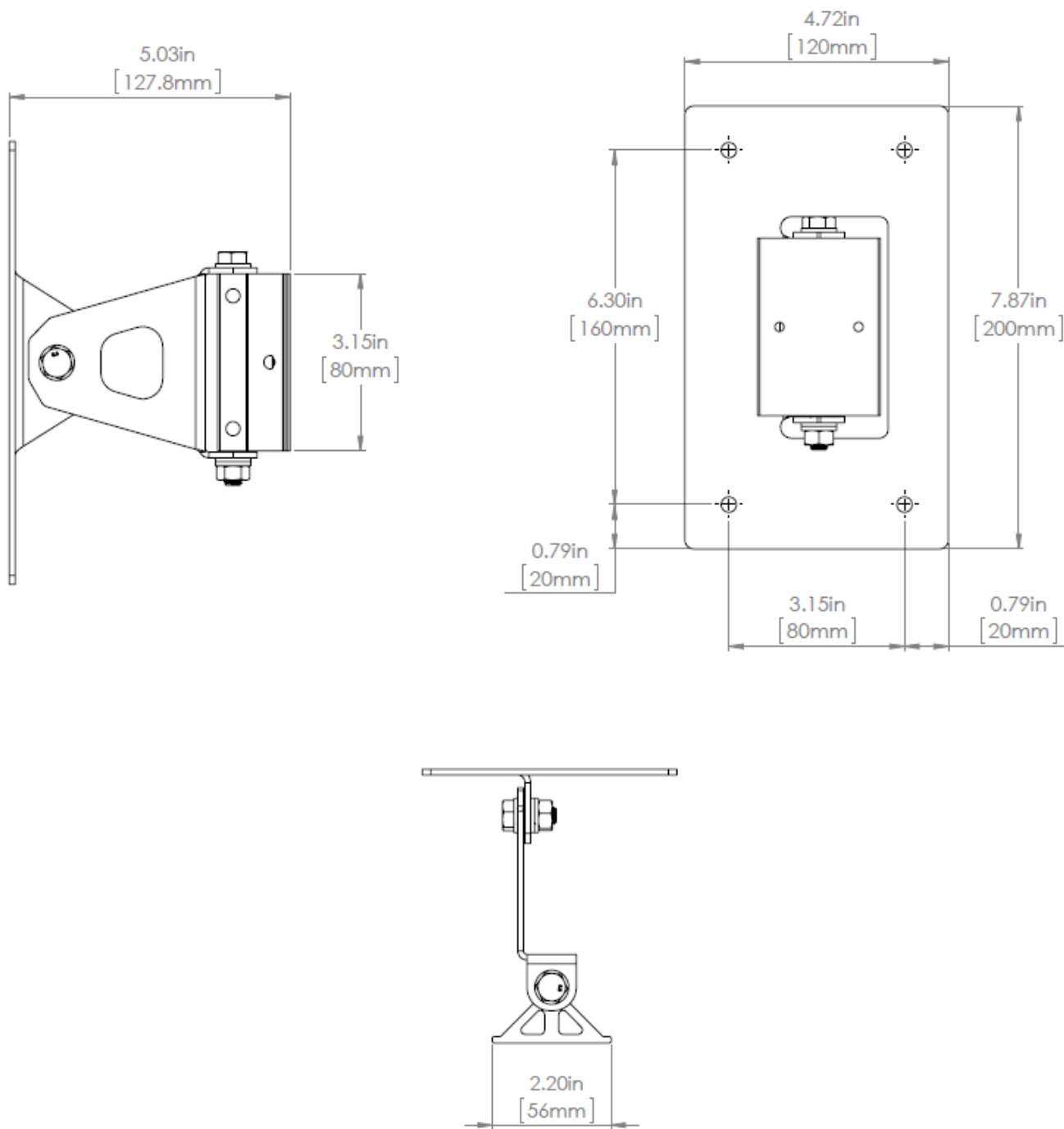
©2016 Atlas Sound L.P. and Innovative Electronic Designs, LLC. All Rights Reserved. Atlas Sound is a trademark of Atlas Sound L.P. IED is a registered trademark of Innovative Electronic Designs, LLC. All other trademarks are the property of their respective owners. All specs are subject to change without notice. ATS005393 RevA 2/16

Dimensional Drawings



©2016 Atlas Sound L.P. and Innovative Electronic Designs, LLC. All Rights Reserved. Atlas Sound is a trademark of Atlas Sound L.P. IED is a registered trademark of Innovative Electronic Designs, LLC. All other trademarks are the property of their respective owners. All specs are subject to change without notice. ATS005393 RevA 2/16

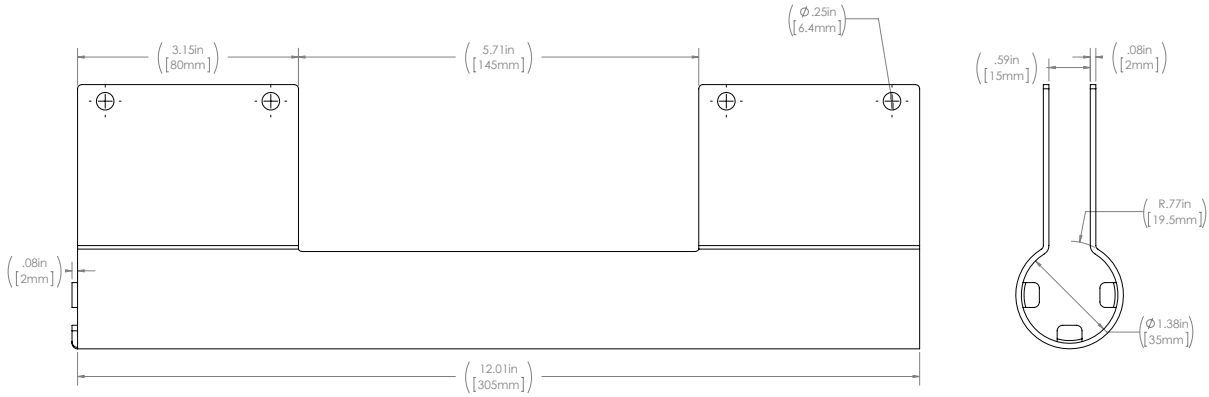
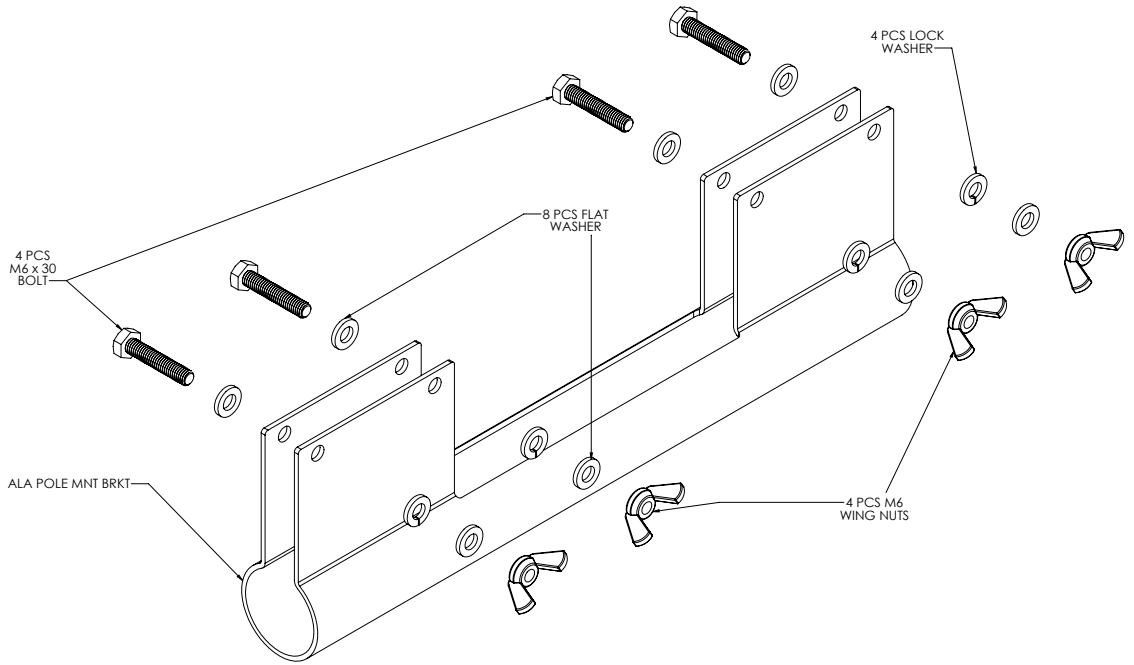
Included Accessories



©2016 Atlas Sound L.P. and Innovative Electronic Designs, LLC. All Rights Reserved. Atlas Sound is a trademark of Atlas Sound L.P. IED is a registered trademark of Innovative Electronic Designs, LLC. All other trademarks are the property of their respective owners. All specs are subject to change without notice. ATS005393 RevA 2/16

Optional Accessories

ALAPMK - Pole Mount Kit



©2016 Atlas Sound L.P. and Innovative Electronic Designs, LLC. All Rights Reserved. Atlas Sound is a trademark of Atlas Sound L.P. IED is a registered trademark of Innovative Electronic Designs, LLC. All other trademarks are the property of their respective owners. All specs are subject to change without notice. ATS005393 RevA 2/16

Architect and Engineer Specifications

The loudspeaker system shall be a two way, full range column array system with five 3" LF transducers and two 22mm dome tweeter HF transducers. The paintable enclosure shall be constructed of extruded aluminum. The back of the enclosure shall incorporate vertical channels that accept an included wall mount and allow the loudspeaker to slide up or down the mount for desired vertical aiming. The mounting system shall provide at least $\pm 10^\circ$ vertical tilt capability. The system shall have a frequency response of 137Hz to 20kHz (-5 dB) and a low impedance (8Ω) input capability of 27.4V RMS. The sensitivity at 1W/1m shall be 92 dB SPL with a max SPL of 116.8 dB SPL at 1m. The loudspeaker system shall have a vertical coverage of 45° (800Hz - 4kHz) and a horizontal coverage of 135° average (800Hz - 4kHz). The system shall be equipped with a 60W high performance transformer for use in 70.7V or 100V distributed audio systems. In 70V operation, it shall provide 60W, 30W, 15W and 7.5W taps. In 100V operation, it shall provide 60W, 30W and 15W taps. Dimensions shall be 16.61" high (422mm) x 4.61" wide (117mm) x 5.43" deep (137.9mm), with a loudspeaker weight of 11.3lbs (5.13kg).