

# FA63T-8MB

## Strategy Series® III 6" Motorboard Assembly



FA63T-8MB shown in FA97-8 Enclosure with FA720-8 Grille and FA81-8 Tile Bridge

### Features

- 6" Speaker Installs into 8" Strategy Enclosure
- Designed for Division of Labor Installations When Enclosures Need to be Installed Before Speakers
- Enhanced Quality 70.7V/100V Internal Transformers Minimize Insertion Loss and Maintain Low Frequency Response While Providing Increased Output for Higher SPL Applications
- Front Mounted Tap Selector Switch for Easy System Tuning Adjustments Includes Transformer Bypass Setting for 8 ohm Direct Coupled Operation
- Tuned Port Maximizes Low Frequency Response from FA97-8 & FA95-8 Enclosure
- UL1480 for General Signaling Listed file UEAYS1824

### Applications

AtlasIED's FA63T-8MB combines superior coaxial loudspeaker performance with even dispersion and easy installation. Wide coverage makes the FA63T-8MB a perfect choice for low ceilings.

The FA63T-8MB will satisfy the needs of owners, architects, contractors, and consultants by delivering true, high fidelity sound reproduction in an attractive and easy-to-install system. The FA63T-8MB is ideal for high-intelligibility voice, music, and signal reproduction in commercial, industrial, and institutional applications.

### General Description

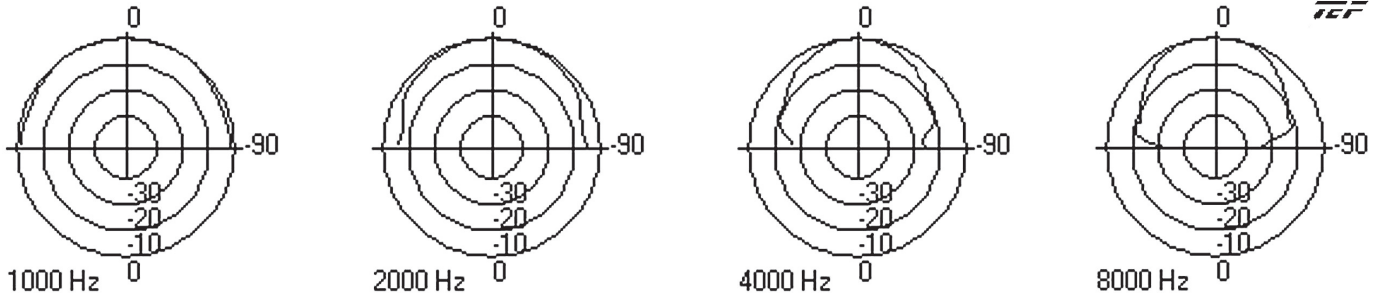
AtlasIED has addressed retrofit and "division of labor" installations with a new "motorboard" version of the Strategy Series® III.

Model FA63T-8MB is comprised of 6" speaker with a transformer, selector switch, and front plate. The footprint of the FA63T-8MB is identical to a standard FA Series 8" speaker component, which allows a motorboard to fit into all current Strategy Series® 8" enclosures in the exact manor as a regular FA speaker. A front mounted tap selector switch for easy system tuning adjustments includes a transformer bypass setting for 8Ω / direct coupled operation.

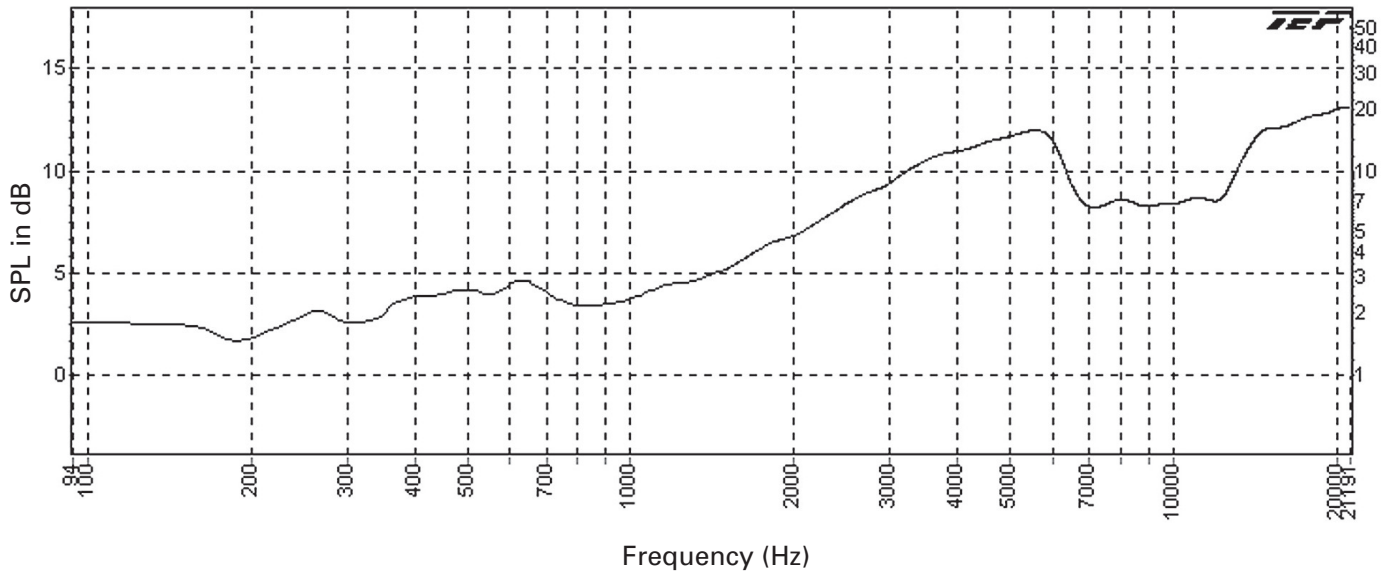
<b>System</b>	
Type	Strategy Series® III 6" Motorboard Assembly
Power Rating	50 Watts
Frequency Response (+/- 7dB)	63Hz - 20kHz
Transformer Taps - 70V	4W, 8W, 16W, and 32W
Input Sensitivity at 1W/1m	88dB SPL
Woofer	6" Poly Cone with Butyl Rubber Surround
Woofer Magnet Weight	14oz (398g)
HF Driver	Coaxially Mounted PEI Dome Tweeter
<b>Enclosure</b>	
Matching Enclosures	FA95-8, FA97-8
<b>Dimensions and Weight</b>	
Product Dimensions (HxWxD)	ø8.27" x 3.83 (ø210mm x 97)
Shipping Dimensions (HxWxD)	11" x 11" x 6.4" (279mm x 279mm x 163mm)
Net Weight - lbs	3.75lb (1.70kg)
Shipping Weight - lbs	4.6lb (2.09kg)
<b>Agency Approvals</b>	
North America Agency	UL1480
<b>Warranty Coverage</b>	
Warranty Period	5 Years

©2021 Atlas Sound L.P. The Atlas "Circle-A", Soundolier, and Atlas Sound are trademarks of Atlas Sound L.P. IED is a Registered Trademark of Innovative Electronic Designs LLC. All rights reserved. All other Trademarks are property of their respective owners. No endorsement is implied. Due to continual product development, specifications are subject to change without notice. ATSO05927 RevA 1/21

Polars Are Normalized To Zero On Axis (-6dB)

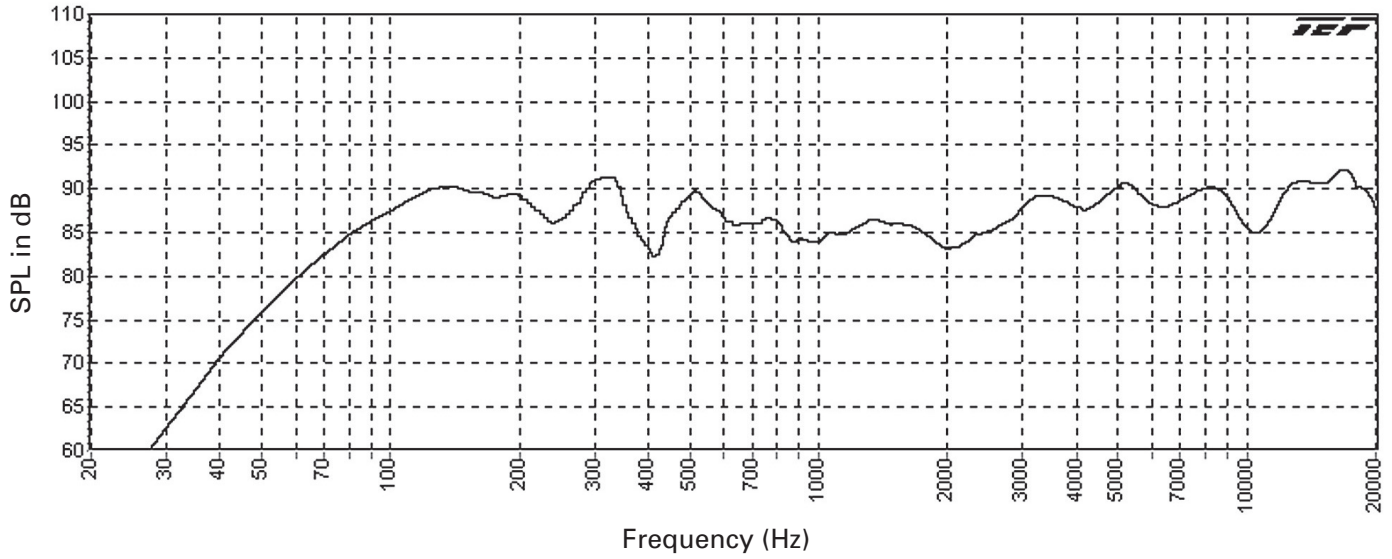


Directivity vs Frequency

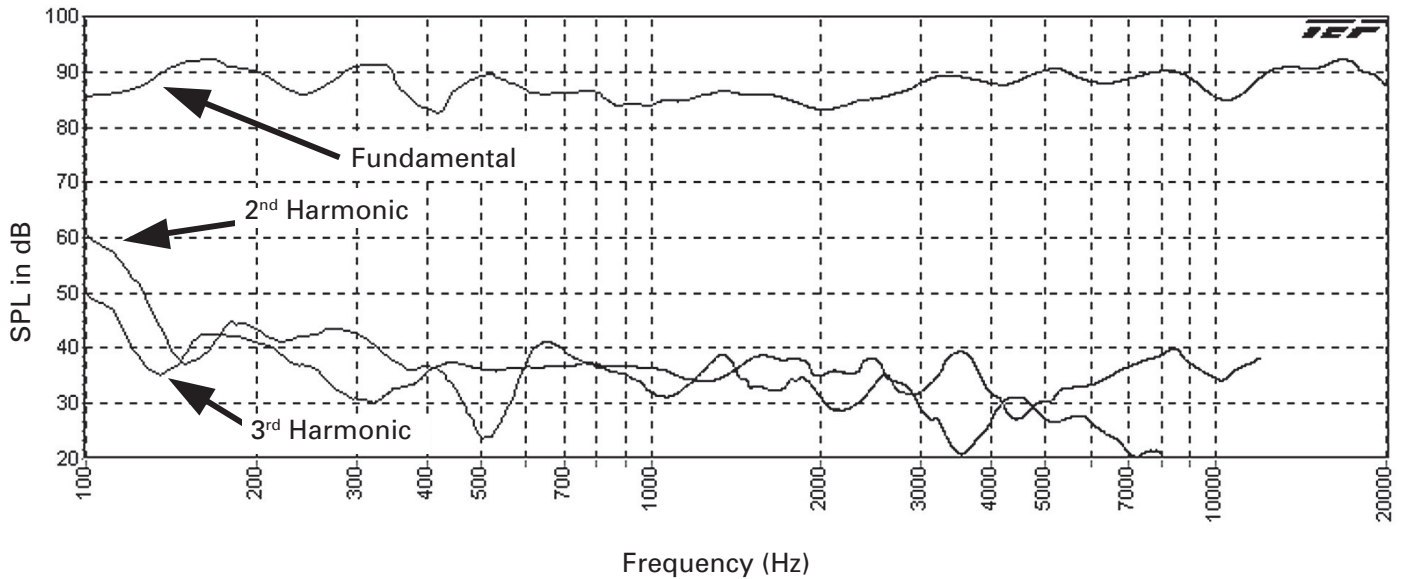


©2021 Atlas Sound L.P. The Atlas "Circle-A", Soundolier, and Atlas Sound are trademarks of Atlas Sound L.P. IED is a Registered Trademark of Innovative Electronic Designs LLC. All rights reserved. All other Trademarks are property of their respective owners. No endorsement is implied. Due to continual product development, specifications are subject to change without notice. ATSO05927 RevA 1/21

## 1/2 Space Frequency Response

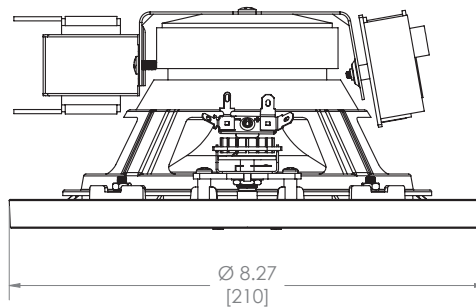
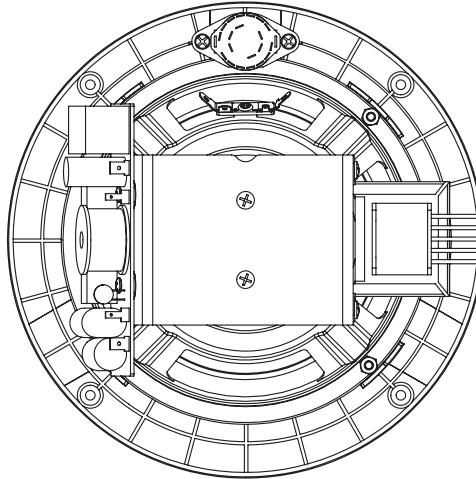
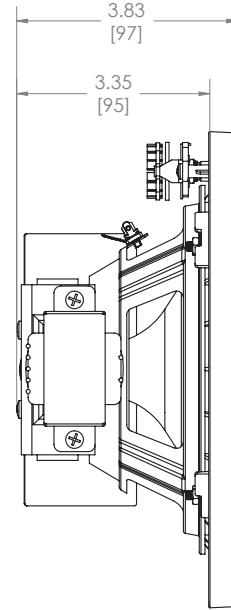
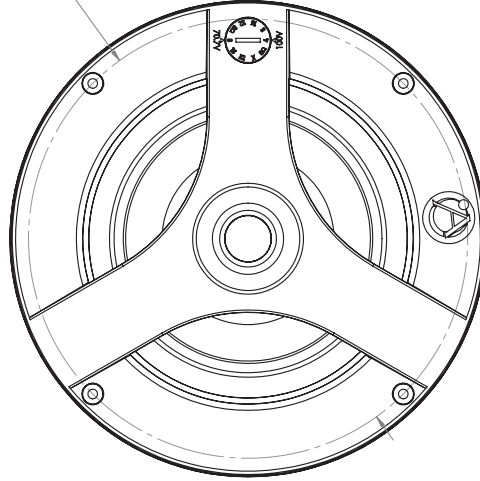


## Harmonic Distortion



## Dimensional Drawings

Ø 7.63 B.C.  
[194]



## Architect and Engineer Specifications

System shall include a high performance 6" coaxial loudspeaker and tap selector switch mounted to a ported mounting plate appropriately sized to match AtlasIED FA95-8, FA97-8 enclosures.

When used with the AtlasIED FA97-8 enclosure, frequency response for the system shall be 63Hz – 20kHz ( $\pm 7$ dB). Sensitivity shall be 88dB average.

Loudspeaker shall be comprised of a 6" coaxial cone driver constructed of polypropylene with a butyl rubber surround. The 20mm tweeter shall be constructed of PEI. Magnet shall be a minimum of 16oz (398g) and the voice coil diameter shall be 1" (25mm).

Transformer shall be a 70.7V / 100V type with 4, 8, 16, and 32 watt primary taps (@70.7V). The 12" stripped & tinned wiring pigtailed shall be terminated to the tap selector switch for convenient hook-up.

The motorboard assembly shall be the AtlasIED FA63T-8MB.