

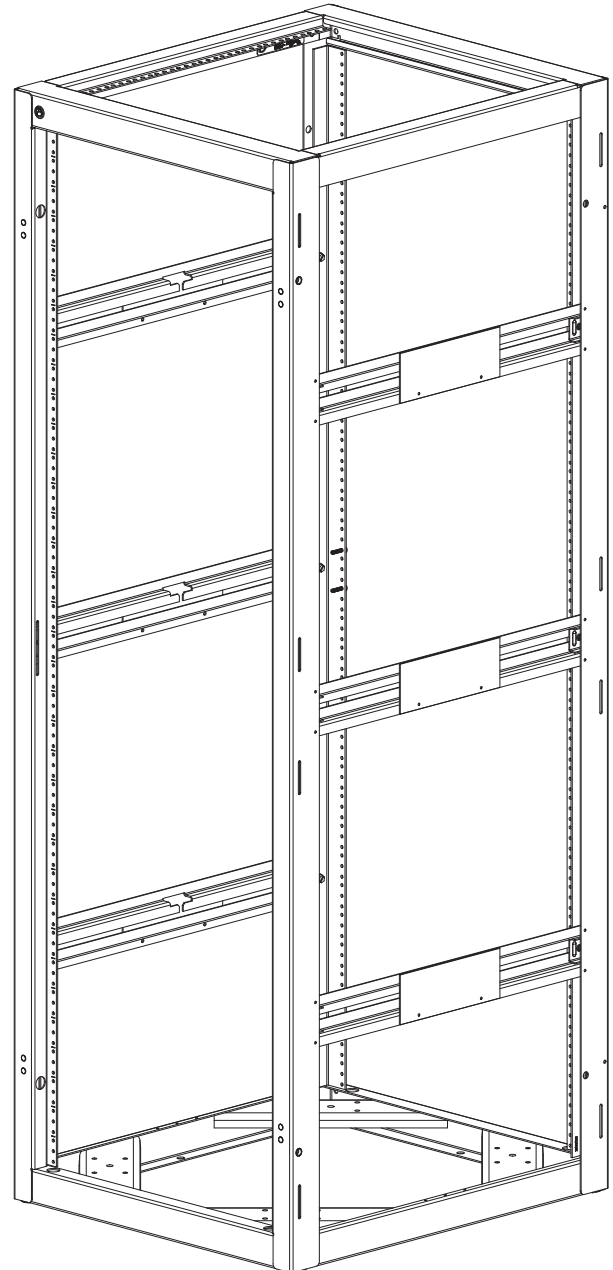
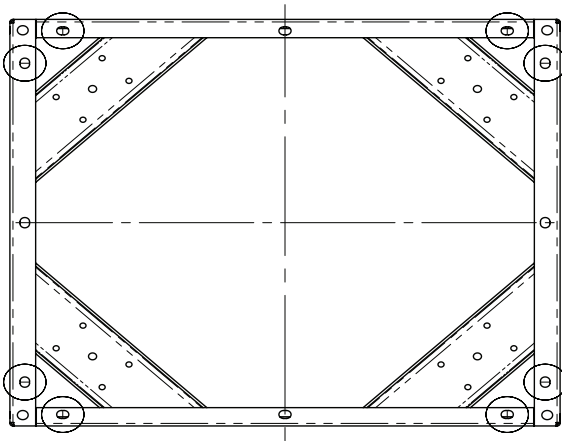
# 700 Series Racks

## Isolating Rack from Semi-Conductive Surface

AtlasIED 700 Series equipment racks are constructed using the highest quality Cold Rolled Steel (CRS) and are designed to be durable for long term use. In some installations where the rack is positioned on or secured to a semi-conductive surface like concrete or raised panels noise can be introduced into the system through the floor surface and / or the mounting bolts securing the rack to the surface. Isolating washers can be used in these instances to isolate the rack from the surface and / or mounting hardware.

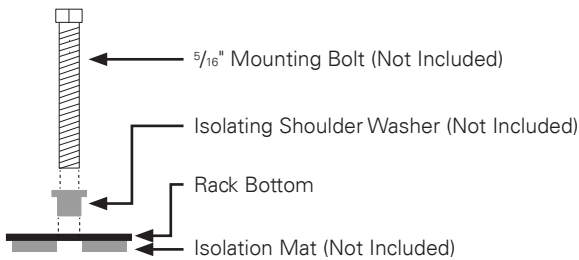
### Floor Mounting 700 Series Rack with Isolation

Each 700 Series rack includes two holes in each corner that can be utilized to secure the rack to the mounting surface. Consult the 700 Series installation sheet for recommendations. Bolts may be either drilled and inserted into the floor and then secured from the top with a nut or holes can be pre-drilled and the bolts can be secured once the rack is in position.



A non-conductive isolating washer as well as a non-conductive mat must be used to isolate the rack from the mounting surface. Once the mounting holes are drilled in the surface, position the isolation mat and remove the mat material so the mounting bolts can pass through the mat into the surface.

AtlasIED recommends the Essentra Components 10SC312037 isolating shoulder washer in combination with a  $\frac{5}{16}$ " mounting bolt. Isolation mats are available in a number of sizes from a number of manufacturers. Consult the system designer for recommended mat thickness.



## Floor Mounting 700 Series Rack with Isolation and Seismic Bracket

Each 700 Series rack includes two holes in each corner that can be utilized to secure the SBK-700 seismic brack and rack to the mounting surface. The SBK-700 enables a 700 Series rack to be certified in accordance to the Telcordia NEBS (Network Equipment Building Systems) GR-63-CORE standard. Each seismic bracket mounts in each corner of the rack. Consult the 700 Series installation sheet for recommendations on preparing the surface. Bolts may be either drilled and inserted into the floor and then secured from the top with a nut or holes can be pre-drilled and the bolts can be secured once the rack is in position.

A non-conductive isolating washer as well as a non-conductive mat must be used to isolate the rack from the mounting surface. Once the mounting holes are drilled in the surface, position the isolation mat and remove the mat material so the mounting bolts can pass through the mat into the surface.

AtlasIED recommends the Essentra Components 10SC312037 isolating shoulder washer in combination with a  $\frac{5}{16}$ " mounting bolt. Isolation mats are available in a number of sizes from a number of manufacturers. Consult the system designer for recommended mat thickness.

