

# IP-CONSOLE-GH

PoE IP Console with Gooseneck Microphone and Handset



## Features

### Network Features

- Dynamic or Static IP Address
- IEEE 802.3 10/100/1000 Base-T Ethernet
- IEEE 802.3af Compliant
- Dual Bridged Port for PC Bypass
- Built-in 2.4G / 5G Wi-Fi
- IPv6 compatible

### Audio Codec Support

- G.711 u-law / a-law (16 kbit/s)
- G.722 Wideband Audio (64 kbits/s), Opus

### Video Codec Support

- H.264 / H.265(optional) 780P/1080P

### Auto Registration

- SLP or DNS-SRV for Singlewire Applications
- AtlasIED Discover tool

### Static Configuration

- HTTP GUI for Static Configuration

### Additional Features

- 10.1" 1280 x 800 color touch screen
- Programable 112 one-touch virtual DSS keys
- Supports 20 SIP lines
- Compatible with most major call platforms (e.g., Asterisk®, Broadsoft®, 3CX®, Metaswitch®, Elastix®, Avaya®, and others)
- Built-in Bluetooth 5.0
- Direct to IPX communication using multi-cast
- On-board Gooseneck Mic, Handset, and conference speaker
- Stand with 2 adjustable angles of 40 and 50 degrees

## General Description

The AtlasIED IP-CONSOLE-GH is a PoE voice over IP communications console equipped with a large 10.1-inch color touch screen, gooseneck microphone, handset and built-in speaker that combines clear voice communication and access to the wide range of features within the IPX Unified Communication ecosystem. The IP-CONSOLE-GH supports telephony integration and is compatible with most major call platforms when used as a desktop phone. The IP-CONSOLE-GH offers 112 programmable virtual DSS (Direct Station Selection) keys and each key can be configured with its own custom naming scheme to easily active a preprogramed event or notification within the Unified Communication ecosystem. A built-in Gigabit Ethernet switch for both network connection and PC connection is included.

## Applications

- Healthcare
- Public Transportation
- Subway Stations
- Corporate Centers
- Education
- Industrial / Manufacturing

The AtlasIED IP-CONSOLE-GH natively registers with Singlewire's InformaCast® notification application or can register as a SIP phone to serve as the systems network Administrative Display Phone or Master Paging Station.

The gooseneck microphone, built-in speaker and graphical user-friendly interface allow the operator to select any or all zones for live day-to-day announcements or a single zone for two-way communication. The operator can also choose to select a single zone and use the handset for private intercom sessions.

When used with InformaCast® notification application each of the IP-CONSOLE-GH programable 112 virtual DSS (Direct Station Selection) keys can be configured to the InformaCast Fusion Command Center's button.

Its large 10.1" color touch screen graphical user-friendly interface makes it easy to navigate through the configured virtual DSS (Direct Station Selection) keys and launch InformaCast's programed critical alerts, manual bells, and pre-recorded events for fast and clear communications with AtlasIED's IPX Series IP endpoints.

The AtlasIED IP-CONSOLE-GH can also register as a SIP phone directly to a SIP server, VoIP Communications Manager, or call service including on-premise and hosted infrastructure call platforms and supports 20 SIP lines.

System	
Type	PoE IP Console with Gooseneck Microphone and Handset
Operating System (OS)	Android® 9.0
Phone Features	
Local Phonebook Size	2000
Physical Keys	Volume Down, Volume Up, Home, Hands Free, Return
Handset Connector	RJ9
Power Input	PoE
Bluetooth Headset Compatible	Yes
DSS (Direct Station Selection) Keys	Yes – 112 (Virtual) Keys
Call Log Depth	1000 Entries
Bluetooth Version	5.0
Safety Agency Ratings	CE and FCC
Audio	
Microphone / Speaker Frequency Response	20Hz - 7kHz (Minimum Range)
Sampling Rate	16kHz
Supported Narrow Band Codecs	G.711a/u and G.729AB
Supported Wide Band Codecs	G.722 and Opus
AEC	Full Duplex
Gooseneck Mic Frequency Response	20Hz - 20kHz
Video	
Codecs	H.264 / H.265(Optional)
Video Call Resolution	CIF / VGA / 4CIF / 720P / 1080P
Image Format	JPEG / PNG / BMP
Video Format	MP4 - Bandwidth Selection: 64kbps~4Mbps, Frame Rate Selection: 5~30fps
Display	
Display Type	High Resolution Back-Lit Color Touch Screen
Display Size	10.1" (1280 x 800)
Software	
InformaCast Advanced Compatible Version	4.0+
InformaCast Fusion Compatible Version	3.0+
Network	
Ethernet	IEEE 802.3 10/100/1000 Base-T
PoE	IEEE 802.3af Compliant
Ethernet Switch	An Internal 2-Port Switch: 1 RJ45 for Network and 1 RJ45 for PC (Bridged to Network)
Wi-Fi	2.4GHz (802.11 b/g/n) and 5GHz (802.11 a/n/ac)
SIP Lines	20
Protocols	
IP Addressing	DHCP / Static
Auto-Registration	HTTP / Service Location Protocol
Telephony	SIP2.0 over UDP /TCP / TLS
Supported Protocols	RTP / RTCP / SRTP, STUN, CDP, LLDP, 802.1x, OpenVPN (Requires third-party app support), SNMP, FTP / TFTP, HTTP / HTTPS, TR-069

©2023 Atlas Sound L.P. The Atlas "Circle-A", Soundolier, and Atlas Sound are trademarks of Atlas Sound L.P. IED is a Registered Trademark of Innovative Electronic Designs LLC. All rights reserved. All other Trademarks are property of their respective owners. No endorsement is implied. Due to continual product development, specifications are subject to change without notice. ATIS007075 RevE 10/23

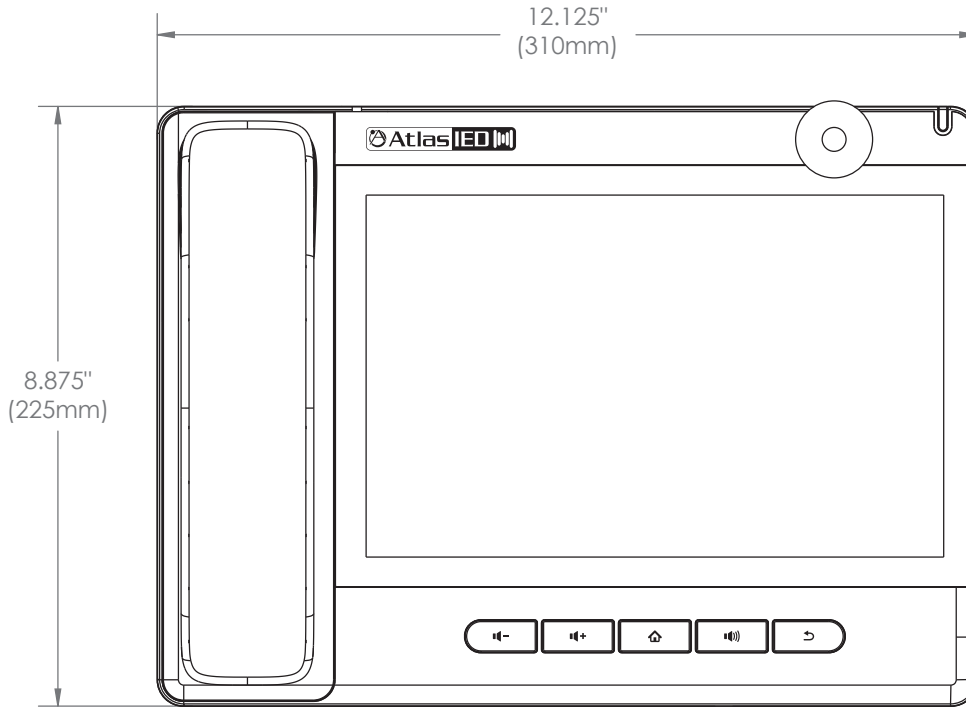
<b>Mechanical</b>	
Operating Temperature	0°C (32°F) to 45°C (113°F)
Operating Humidity	10 - 95%
Product Dimensions (HxWxD)	8.875" x 12.125" x 1.8" (225mm x 310mm x 46mm) (Base Unit)
Shipping Dimensions (HxWxD)	12.0" x 12.75" x 2.75" (305mm x 324mm x 70mm)
Net Weight - lbs	2.65lb (1.20kg) (Console / Kick Stand / Goose Neck)
Net Weight - lbs	2.95lb (1.34kg) (Console / Kick Stand / Handset)
Shipping Weight - lbs	4.075lb (1.85kg)
<b>Warranty Coverage</b>	
Warranty Period	1 Year

The above specifications may be updated in the future without prior notice.

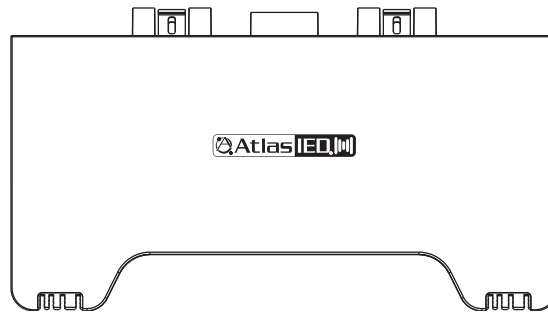
©2023 Atlas Sound L.P. The Atlas "Circle-A", Soundolier, and Atlas Sound are trademarks of Atlas Sound L.P. IED is a Registered Trademark of Innovative Electronic Designs LLC. All rights reserved. All other Trademarks are property of their respective owners. No endorsement is implied. Due to continual product development, specifications are subject to change without notice. ATSO07075 RevE 10/23

## Dimensional Drawings

IP Phone Console



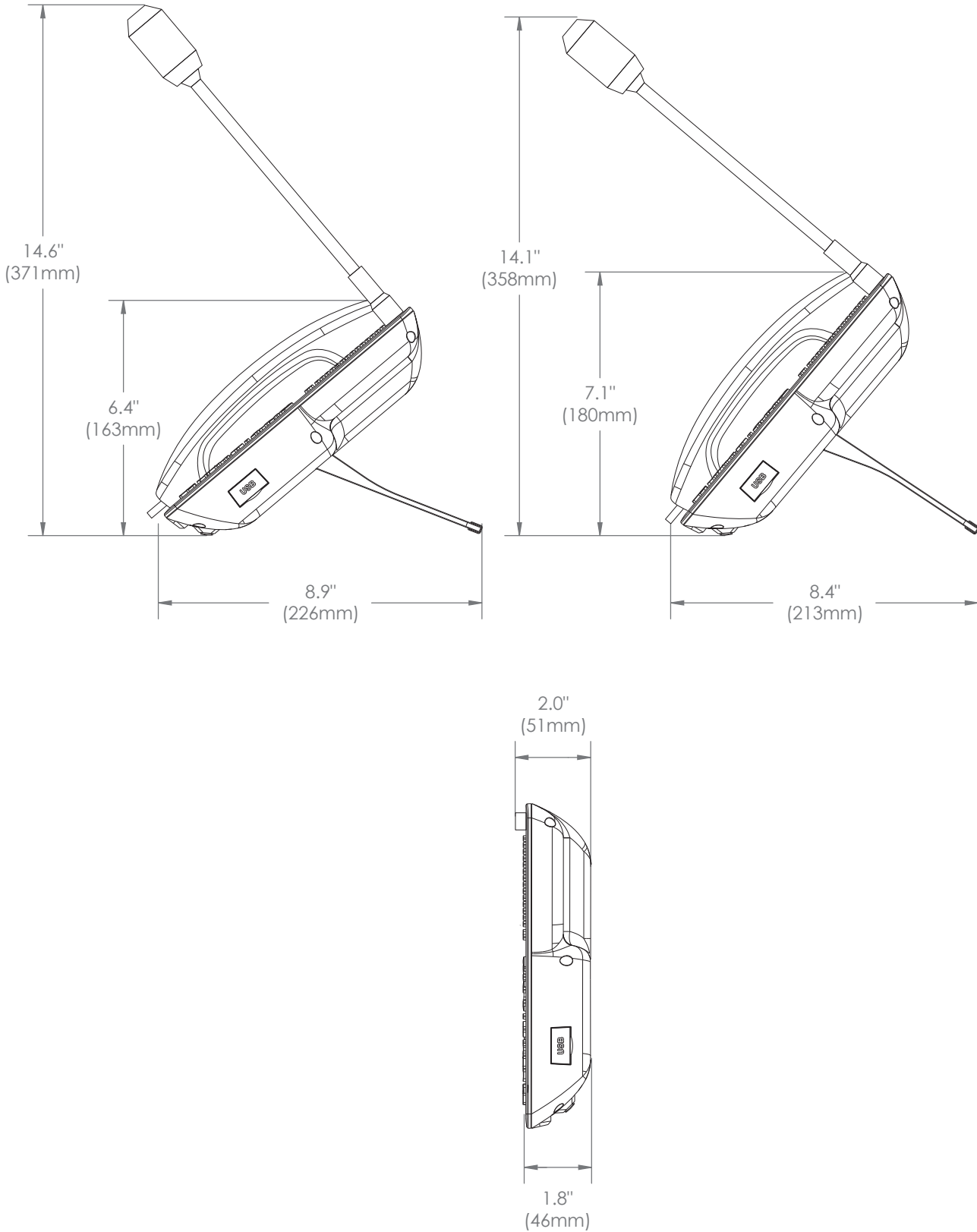
Stand



©2023 Atlas Sound L.P. The Atlas "Circle-A", Soundolier, and Atlas Sound are trademarks of Atlas Sound L.P. IED is a Registered Trademark of Innovative Electronic Designs LLC. All rights reserved. All other Trademarks are property of their respective owners. No endorsement is implied. Due to continual product development, specifications are subject to change without notice. ATSO07075 RevE 10/23

## Dimensional Drawings

Mic, Console, Stand



©2023 Atlas Sound L.P. The Atlas "Circle A", Soundolier, and Atlas Sound are trademarks of Atlas Sound L.P. IED is a Registered Trademark of Innovative Electronic Designs LLC. All rights reserved. All other Trademarks are property of their respective owners. No endorsement is implied. Due to continual product development, specifications are subject to change without notice. ATIS007075 RevE 10/23

## Architect & Engineer Specifications

The unit shall be AtlasIED model IP-CONSOLE-GH. The PoE voice over IP communication Administrative Control Console (subsequently referred to as Console) shall be a programmable 10.1" diagonal capacitive touch technology color screen interface with a 1280x480 resolution. The Console shall provide 112 programmable virtual DSS (Direct Station Selection) keys and allow for a custom naming scheme for each key. The Console shall have a gooseneck microphone and built-in speaker that supports hands-free wideband audio (HD Audio) for maximum intelligibility, as well as a corded handset. The Console shall be equipped with an internal Gigabit Ethernet switch and include 1 RJ45 port for IEEE 802.3 10/100/1000 Base-T Ethernet network connection and 1 RJ45 port for IEEE 802.3 10/100/1000 Base-T Ethernet co-located PC connection. The Console shall allow connectivity to a 2.4GHz (802.11 b/g/n) and 5GHz (802.11 a/n/ac) Wi-Fi access-point infrastructure as an alternative to wired Ethernet. The Console shall support telephony integration and be compatible with most major call platforms.

The AtlasIED IP-CONSOLE-GH shall natively register with Singlewire's InformaCast® notification application or register as a SIP phone to serve as the systems network Administrative Display Phone or Master Paging Station.

Each of the Console's programmable 112 virtual DSS (Direct Station Selection) keys shall be capable of matching Singlewire's InformaCast® Fusion Command Center button architecture. The Console's 10.1" diagonal capacitive touch technology color screen interface shall allow the operator to launch Singlewire's InformaCast® Fusion programmed color-coded critical alerts, manual bells, pre-recorded, scheduled events and two-way communication. When there are no active calls, the display shall show the Console name and dial number. If a time server is connected to the network, the display shall also show the time and date.

The Console's gooseneck microphone, built-in speaker and graphical user-friendly interface shall allow the operator to select any or all zones for live day-to-day announcements or a single zone for two-way communication. The Console shall also allow the operator to select a single zone and use the handset for private intercom sessions.

The Console shall be capable of registering as a SIP phone directly to a SIP Server, VoIP Communications Manager or call service including on-premise and hosted infrastructure call platforms and supports 20 SIP lines for making calls to external and internal phones, two-way intercom, monitoring, and broadcasting. The Console SIP implementation shall support standards G.711 a-law and u-law, G.722 and SIP2.0 over UDP, TCP, TLS, and RTP protocols.

The Console shall be PoE IEEE Power over Ethernet class 4 and compatible with both IEEE 802.3af and 802.3at switch blades and support Link Layer Discovery Protocol - Power over Ethernet (LLDP-PoE).

The Console shall provide Bluetooth 5.0 Enhanced Data Rate (EDR) Class 1 technology support for Hands-Free Profile (HFP) untethered headset connections and voice communications.

The PoE voice of IP communications console shall be Molded of Dark Grey Polycarbonate Acrylonitrile Butadiene Styrene (ABS) Textured Plastic. It shall offer the ability to mount flat on top of a surface, or free-standing on a desktop using included adjustable stand with 40 and 50 degree angles. The overall dimensions of the base unit shall be 8.875" x 12.125" x 1.8" (225mm x 310mm x 46mm).