



# 161RES

## Stainless-Steel Recessed Enclosure



161RES

### General Description

- Durable Enclosure Designed to Recess Mount VP161 Series Vandal-Proof Baffles
- Accommodates A Wide Variety of Loudspeaker / Transformer Configurations
- Heavy-Duty 18-Gauge Stainless Steel Construction Includes Undercoating and A Natural Finish
- Designed for Use with Atlas Sound VP161 Series Vandal / Weather Resistant Baffles

### Specifications

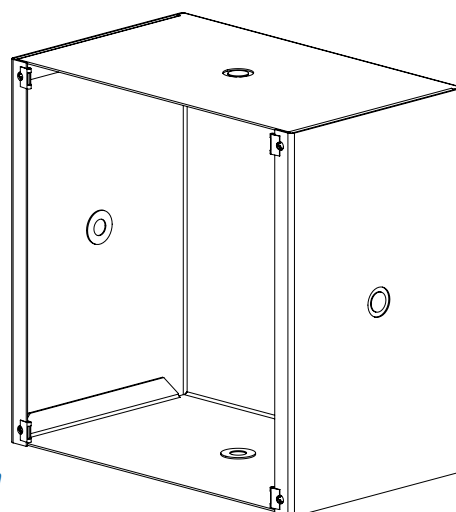
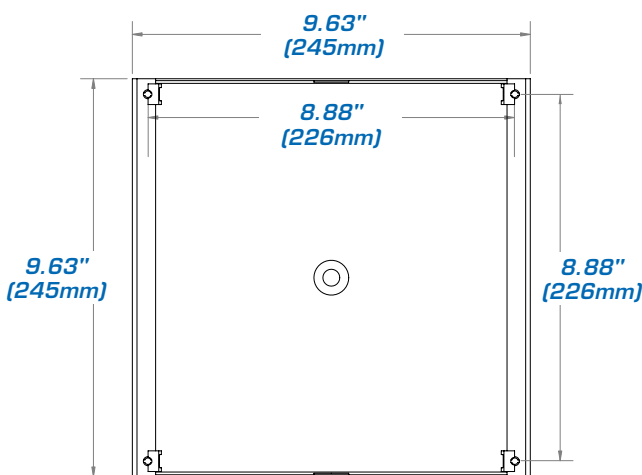
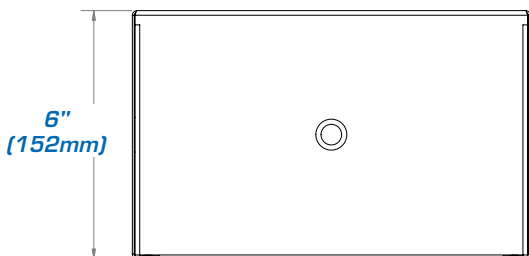
Height 9.63" (245mm)

Width 9.63" (245mm)

Depth 6" (152mm)

### Architect & Engineer Specifications

The flush mount metal protective enclosure shall be Atlas Sound Model 161RES or approved equal. Construction shall be 18 gauge stainless steel. Unit will be equipped with four J-Nuts for installing screw-mount baffles and shall have two combination 1/2"-3/4" (13mm - 19mm) conduit knockouts. Enclosure shall be undercoated to prevent acoustical and mechanical resonance. Unit shall be weather resistant and suitable for outdoor use. The enclosure shall mount Atlas Sound baffle Model VP161A or approved equal.



©2010 Atlas Sound L.P. All rights reserved. Atlas Sound and Strategy Series are trademarks of Atlas Sound L.P. All other trademarks are the property of their respective owners. ATS003753 RevA 2/10