



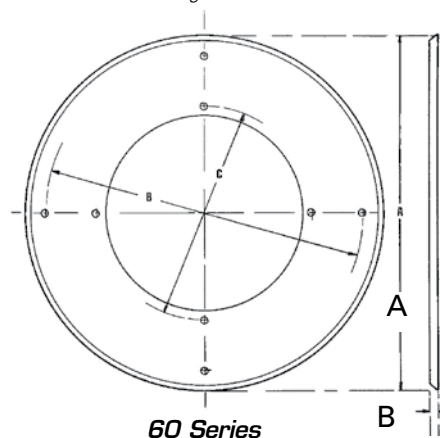
60 Series

Round Recessed Baffles For Mounting 4", 8", and 12" Loudspeakers

General Description

The popular 60 Series aluminum baffles are available in standard screw-mount or torsion-spring (T) versions. Models 60-4 and T60-4 mount standard 4" (102mm) loudspeakers; Models 60-8(W) and T60-8(W) accommodate standard 8" (203mm) loudspeakers. Model T60-4 includes provisions to accommodate ceiling thickness up to 2" deep. All of the above units are of one-piece .030 aluminum construction. Model 60-12(W) is designed for use with standard 12" (305mm) loudspeakers and is of two-piece construction (.030 aluminum trim ring, 22-gauge CRS perforated grille). Finish is satin aluminum or textured white (W) epoxy where noted.

Note: For proper support, torsion spring grilles should not be used with loudspeaker assemblies exceeding 5 lbs.



60-8



60-8A

Features

- Attractive, Weather-Resistant Aluminum Construction
- Industry Standard Design with Years of Proven Performance
- Torsion Spring Versions for Quick, Efficient, & Economical Installation
- Companion Enclosures or Mounting Rings are Available for Loudspeaker Installations With or Without a Tile Bridge
- Choice of Satin Aluminum or Textured White Finish Where Noted

Applications

Atlas Sound 60 Series round grilles are designed for indoor or outdoor recessed ceiling applications. Torsion-spring versions are offered to simplify installation, reduce labor costs, and eliminate visible baffle-mounting hardware.

Specifications

Grilles Mounting 4" (102mm) Loudspeakers

60-4

Diameter (A)	7 $\frac{7}{8}$ " (187mm)
Projects (B)	$\frac{1}{4}$ " (6mm)
(C)**	4 $\frac{11}{16}$ " (119mm)
(D)***	5 $\frac{1}{8}$ " (143mm)
Enclosure	(EZ)96-4 Series, (EZ)96-4X Series
Mtg. Ring	76-4
Tile Bridge	81-4
Weight	.15 Lbs. (.07kg)

T60-4*

Diameter (A)	7 $\frac{7}{8}$ " (187mm)
Projects (B)	$\frac{1}{4}$ " (6mm)
(C)**	4 $\frac{11}{16}$ " (119mm)
(D)***	
Enclosure	(EZ)E410 Series
Mtg. Ring	PR411
Tile Bridge	—
Weight	.2 Lbs. (.09kg)

©2012 Atlas Sound L.P. All rights reserved. Atlas Sound and Strategy Series are trademarks of Atlas Sound L.P. All other trademarks are the property of their respective owners. AT5004113 RevA 7/12

©2012 Atlas Sound L.P. All rights reserved. Atlas Sound and Strategy Series are trademarks of Atlas Sound L.P. All other trademarks are the property of their respective owners. AT5004113 RevA 7/12

Grilles Mounting 8" (203mm) Loudspeakers

60-8(W)

Diameter (A)	12 $\frac{3}{4}$ " (324mm)
Projects (B)	$\frac{1}{4}$ " (6mm)
(C)**	7 $\frac{7}{8}$ " (194mm)
(D)***	11 $\frac{1}{4}$ " (286mm)
Enclosure	(EZ)95-8 Series, EZ96-8, T95-8 Series, 199-8, Q408, CS95-8(NS)
Mtg. Ring	76-8(EZ), P77-8, P78-8
Tile Bridge	81-8R(S)
Weight	.4 Lbs. (.2kg)

T60-8(W)

Diameter (A)	12 $\frac{3}{4}$ " (324mm)
Projects (B)	$\frac{1}{4}$ " (6mm)
(C)**	7 $\frac{7}{8}$ " (194mm)
(D)***	—
Enclosure	T95-8 Series, BMT95-8(-7), EZ95-8
Mtg. Ring	T75-8(E1)(E2)
Tile Bridge	81-8S****
Weight	.5 Lbs. (.25kg)

Grilles Mounting 12" (305mm) Loudspeakers

60-12(W)

Diameter (A)	17 $\frac{1}{4}$ " (438mm)
Projects (B)	$\frac{1}{4}$ " (6mm)
(C)**	11 $\frac{5}{8}$ " (294mm)
(D)***	15 $\frac{1}{2}$ " (394mm)
Enclosure	95-12
Mtg. Ring	—
Tile Bridge	—
Weight	1 Lb. (.45kg)

* Model includes provisions to accommodate ceiling thickness up to 2" thick.

** (C) Loudspeaker mounting hole or stud pattern.

*** (D) Baffle mounting hole pattern.

**** When a torsion spring grille, tile bridge, and enclosure are specified, the grille will mount to the tile bridge only and not to the enclosure's torsion tabs. The enclosure will need to be secured to the tile bridge via four 8-32 screws (not included). [In some cases, the enclosure may need to be rotated to avoid the torsion tabs and insure a proper fit.]

Architect and Engineer Specifications

Screw Mount Grilles. Round recessed baffle shall be Atlas Sound Model _____ [60-4 for 4" (107mm) loudspeakers; 60-8(W), for 8" (203mm) loudspeakers; 60-12(W) for 12" (305mm) loudspeakers]. Baffle shall be constructed of .030 aluminum. Hardware for mounting Atlas Sound loudspeaker Model _____ shall be furnished. Baffle shall be used in conjunction with Atlas Sound enclosure Model _____ or mounting ring Model _____. For applications which require a tile bridge, Atlas Sound Model _____ shall be used. Baffle dimensions shall be _____. Finish shall be _____.

Torsion Spring Grilles. Round recessed baffle shall be Atlas Sound Model _____ [T60-4 for 4" (107mm) loudspeakers; T60-8(W) for 8" (203mm) loudspeakers]. It shall be constructed of .030 aluminum. It shall utilize a torsion spring device to mount either Atlas Sound enclosure Model _____ or mounting ring Model _____. For applications which require a tile bridge, Atlas Sound Model _____ shall be used. Baffle shall have dimensions of _____ and have welded studs on rear for mounting Atlas Sound loudspeaker Model _____. Finish shall be _____.

Baffle Mounting Guide for 51 Series			
Model	Enclosure	Mouting Ring	Title Bridge
60-8(W)	(EZ)95-8 Series, EZ96-8, T95-8 Series, 199-8, Q408, CS95-8(NS)	76-8(EZ), P77-8, P78-8	81-8R(S)
T60-8(W)	T95-8 Series, BMT95-8(-7), EZ95-8	T75-8(E1)(E2)	81-8S****
60-12(W)	95-12	—	—