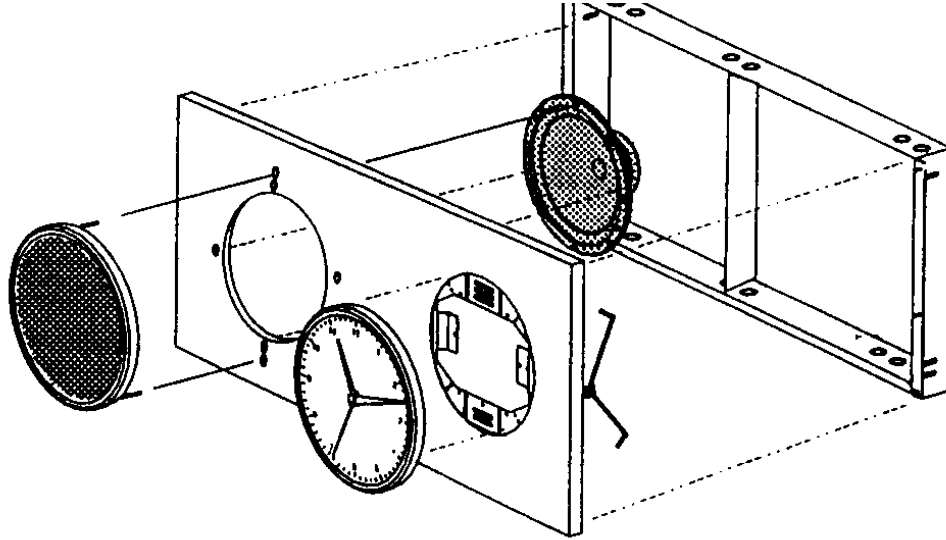


Series 830, 840, 194, & 195

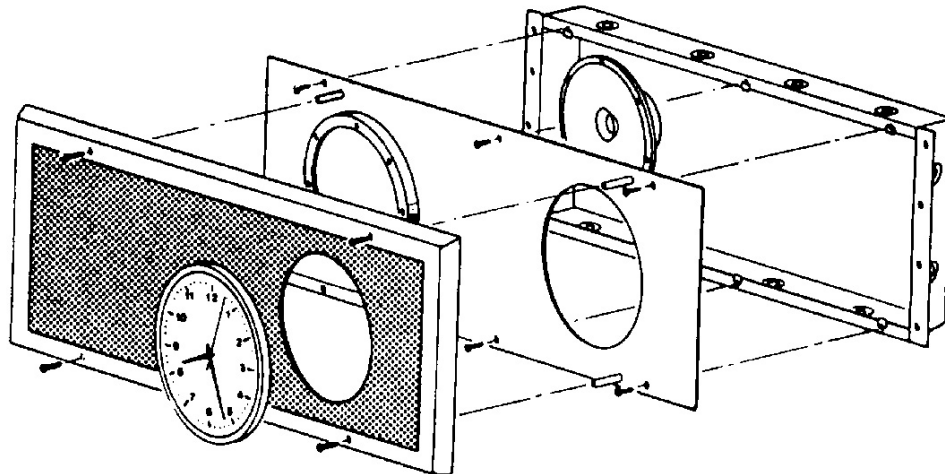
Installation Of The 830 Series Into The 194 Series Enclosure

Installation of Speaker (order separately), Clock (manufactured by others), and 830 Series Baffle into Model 194 enclosure.



Installation Of The 840 Series Into The 195 Series Enclosure

Installation of Speaker (order separately), Clock (manufactured by others), and 840 Series Baffle into Model 195 enclosure.



Series 830, 840, 194, & 195

The universal clock hanger bracket (patent pending) allows mounting of virtually any new as well as most older clocks to Atlas Sound clock/speaker baffles. The factory-installed hanger bracket allows flexible orientation of clock/speaker baffles at time of installation and comes complete with hardware bag equipped with nuts, bolts, and stud bolts.

1. Identify the clock bracket style used by the clock manufacturer (typical examples are shown below).
2. Determine portion(s) of the Universal Bracket required to mount the clock.
Note: Bracket can be unscrewed and re-oriented to meet individual needs.
3. Determine the proper orientation of the baffle (vertical or horizontal).
Verify mounting holes on the mounting bracket before trimming, if trimming is required.
4. Attach the clock to the clock/speaker baffle.

Clock Bracket Style

(supplied by clock manufacturer)

Application

830 and 840 Series Clock/Speaker Baffles

Mounting Holes/Slots

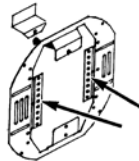
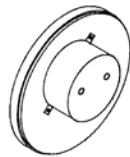
(for most applications)

Stud Type Bracket

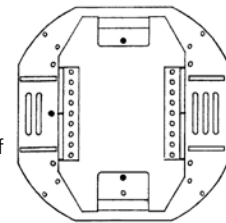
(bracket mounts through an attached bolt stud)

This configuration is typical of clocks by:

Cincinnati
Edwards
Faraday
Franklin
Standard



Breakaway straps available for special applications if needed

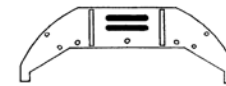
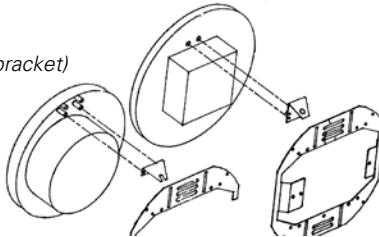


Spade Type Bracket

(bracket simply hooks into a slot on the hanger bracket)

This configuration is typical of clocks by:

American Time & Signal
Dukane
Lathem
Rauland
Simplex

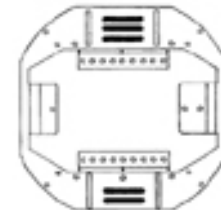
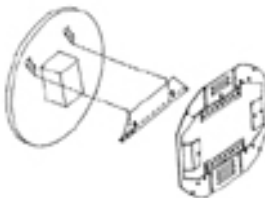


Use trimming chart below for cutting if needed

Plate Style Bracket

(bracket supplied by clock maker bolts directly to universal hanger bracket)

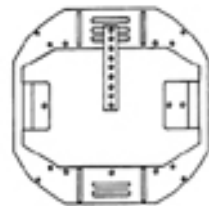
This is typical of clocks by National



Strap Hanger Application

(break away the hangers from the side and bolt for clock hanger)

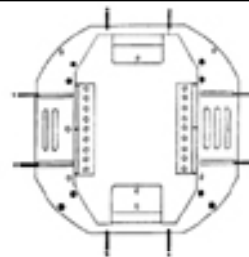
This solution works on obscure older models or unique brands.



Baffle Mounting Holes

Use the correct holes to mount bracket/clock to baffle.

Verify mounting holes before any trimming!



Trimming Locations

Use these cutting locations only if needed so that clock hanger mounts correctly to baffle.