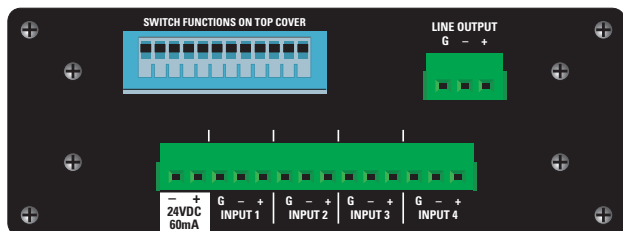
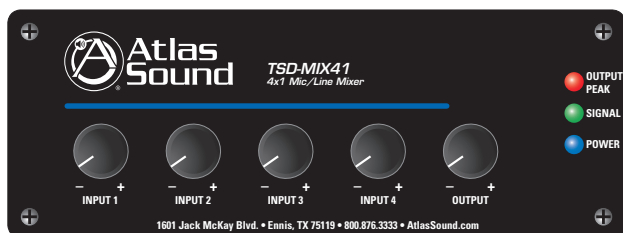




# TSD-MIX41

## 4 x 1 Mic/Line Mixer



**TSD-MIX41**

### Atlas Time Saving Devices

New Atlas Sound Time Saving Devices are designed to solve some of the common audio system problems in the easiest and in the most efficient and cost-effective way. Utilizing the highest quality components and inspired by real world installation issues, the Atlas Sound TSDs include mixers, amplifiers, preamps, and other distribution and control devices to simplify your connections, provide specific application needs, and add flexibility in expansion and changes that prevent expensive system overhauls.

The Time Saving Devices are loaded with features making it versatile and user friendly. The TSD design mandate was to make the installation quick and reliable, saving you valuable time and money. Each model is housed in a compact 1.5" x 4" x 2.75" footprint that allows for placement almost anywhere. Common features include removable individual I/O connectors for quick and precise wiring, separate ground terminals for all I/Os assuring secured connections, and removable level controls that can be replaced with a tamper-proof security cover.

### Description

The Atlas Sound TSD-MIX41 4x1 mic/line mixer is ideal for applications where multiple mic or line sources need to be sub mixed or summed. In House of Worship applications the TSD-MIX41 is especially useful for combining similar sources such as choir microphones to a single mixer channel. The unit also works well as a stand-alone mic/line mixer that can be easily interfaced with Atlas Sound amplifiers. Other applications include restaurants, conference rooms, and schools.

Each input is mic/line switchable with phantom power provided for condenser microphones. The high quality, low noise internal mic preamps ensure clarity and quiet operation without unwanted coloration. A 12dB/octave high pass filter @ 125Hz also is available on each input to minimize bass rumble and low frequency feedback.

The TSD-MIX41 is highly efficient and meets Energy Star™ standards as one 24V DC power supply (available separately) can power multiple Atlas Time Saving Devices.

### Installation

- Churches
- Restaurants
- Sports Bars
- Schools
- Industrial Facilities
- House of Worship

### Features

- Four (4) Balanced Mic/Line Inputs
- Four (4) Professional Grade Microphone Preamps with Switchable 24V Phantom Power
- Up to 50dB Mic Gain Per Input
- 12dB/Octave Low Cut Filter @ 125Hz
- Balanced Line Output
- Input Peak & Signal Indicator LEDs
- High Gain Output for Driving Long Balanced Lines
- Separate Ground Connections
- Removable Phoenix Style I/O Connectors
- Security Covers Included for All Front Panel Controls
- Meets Energy Star™ Standards
- Compact Chassis Design

### Audio Applications

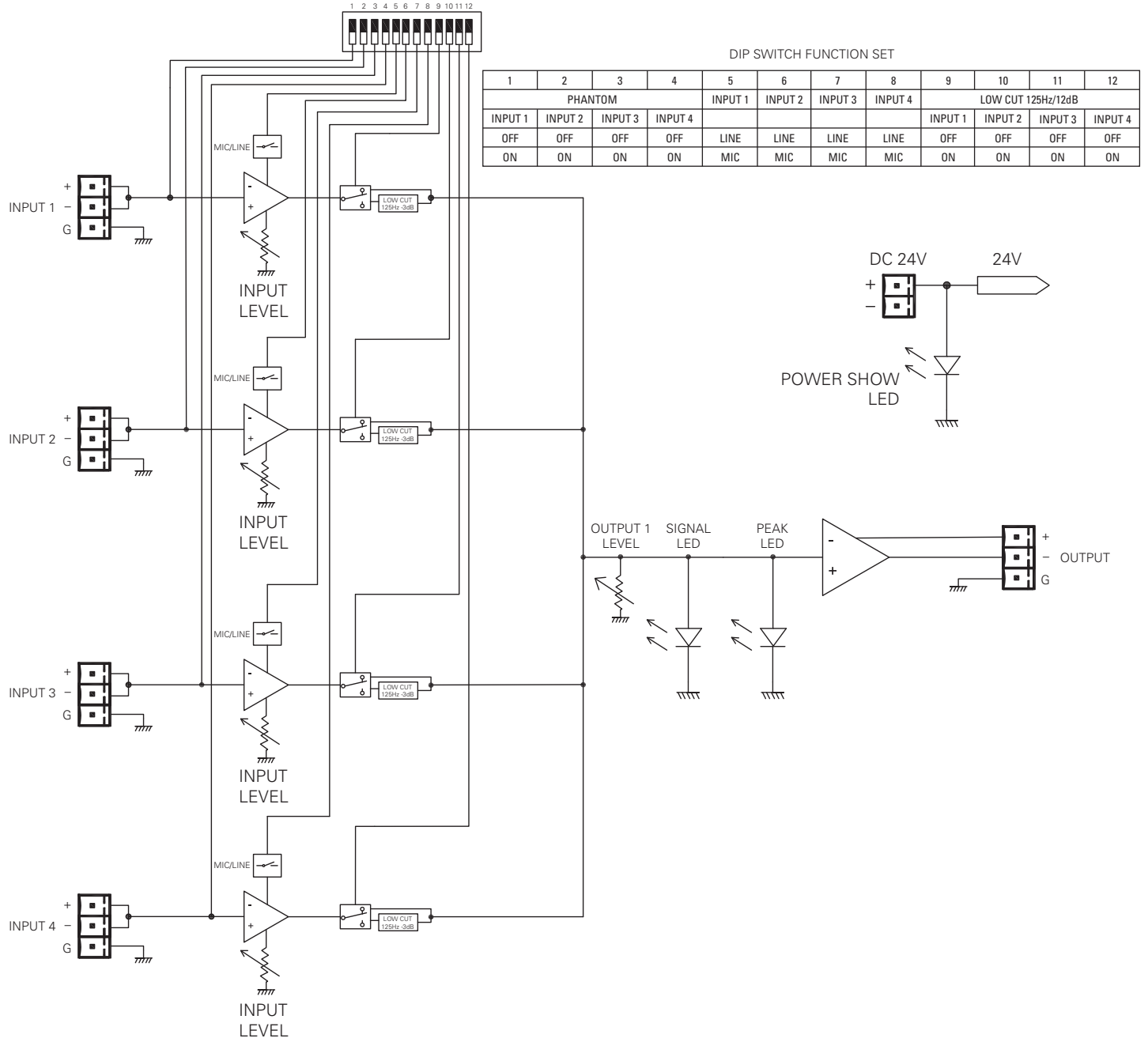
- Mic Preamp
- Line Preamp
- Line Drive
- Choirs

©2010 Atlas Sound L.P. All rights reserved. Atlas Sound and Strategy Series are trademarks of Atlas Sound L.P. All other trademarks are the property of their respective owners. ATSO03817 RevA 4/10

## Specifications

<b>Description</b>	4 x 1 Mic/Line Mixer
<b>Chassis Color</b>	Black
<b>Chassis Material</b>	Aluminum
<b>Inputs</b>	
Type	Qty 4, Balanced Mic or Line Selectable
Connection	Removable 3 Position Captive Screw 3.5mm Spacing
Impedance	1.2K $\Omega$ Balanced, 600 $\Omega$ Unbalanced
Phantom	24VDC Defeatable
Low Cut Filter	125Hz/12dB Defeatable
Line Input Level	1V (0dBV) Balanced = 2V (+6dBV) Balanced Output, Maximum Input 6V (+15dBV)
Mic Input Level	46dB Gain, 10mV (-40dB) Balanced = 2V (+6dBV) Balanced Output, Maximum Input 40mV (-27dBV)
<b>Outputs</b>	
Type	Qty 1, Balanced Line
Connection	Removable 3 Position Captive Screw 3.5mm Spacing
Impedance	300 $\Omega$ Balanced, 150 $\Omega$ Unbalanced
Line Output Level	1V (0dBV) In = 2V (+6dBV), Maximum Output 6V (15dBV)
<b>Controls</b>	
Input Level Control	Qty 4, Removable Knobs with Security Covers
Output Level Control	Qty 1, Removable Knob with Security Cover
Dip Switch Function	<ul style="list-style-type: none"><li>• Phantom Power 24VDC, Qty 4</li><li>• Input Mic/Line Select, Qty 4</li><li>• Input 125Hz/12dB High Pass Filter, Qty 4</li></ul>
<b>Indicators</b>	
Output Signal	Green, 25mV On Threshold
Output Peak	Red, -3dB Before Clip
Power	Blue
<b>Electrical</b>	
Frequency Response	20Hz - 20kHz ( $\pm$ 1dB)
THD	.06% & 1kHz
Signal to Noise	Line to Line: 85dBV Mic to Line: 78dBV
<b>Mounting</b>	
Velcro	Industrial Grade, Included
Brackets	Qty 2, Included
TSD-RMK	Optional 1 RU Rack Mount Panel (Supports 4 TSD Units)
Cable Retainer	Qty 2, Included
<b>Power Requirements</b>	
Voltage	24VDC
Power Consumption	60mA
Power Consumption	1.4W
<b>Dimensions</b>	H 1.5" (39mm) x W 4" (101mm) x D 2.75" (70mm)
<b>Weight</b>	6oz, .165kg
<b>Accessories</b>	
TSD 24VDC Power Supplies	
TSD-RMK 1 RU Rack Panel	
<b>Safety and Certifications</b>	
External Power Supply	cUL, CE, RoHS, TUV

# Block Diagram



©2010 Atlas Sound L.P. All rights reserved. Atlas Sound and Strategy Series are trademarks of Atlas Sound L.P. All other trademarks are the property of their respective owners. AT5003817 RevA 4/10