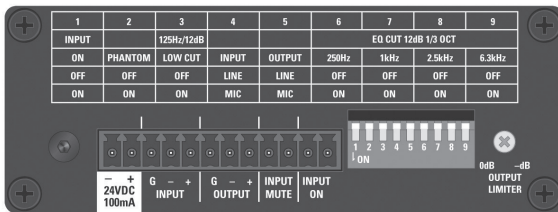




**TSD-ML11**  
**1x1 Mic/Line Preamp**  
**with EQ & Mute**



1601 Jack McKay Blvd. • Ennis, Texas 75119 U.S.A.  
Telephone: 800.876.3333 • Fax: 800.765.3435

## Description

The TSD-ML11 is a high headroom, low noise mic preamp that allows your 'money channel' to have the highest performance possible. Use as a standalone preamp or in conference room systems, board meetings, courtrooms, council chambers, and public forums system that need mute and push to talk microphone functions.

The TSD-ML11 features switchable phantom power for powering condenser microphones and has four EQ cut filters centered at common frequencies to eliminate feedback and control voice shaping. The variable mic preamp helps further eliminate noise for quiet operation as well as reduces unwanted coloration and changes in tonality and a 12dB @ 125Hz high pass filter is available on each mic input to minimize bass rumble and low frequency feedback in the system and ensure focus and clarity stays on voice sound spectrum. An output limiter/compressor is also included for system protection to avoid clipping and eliminate distortion. Mic Mute and Mic On control allows microphones in the system to be push-to-talk enabled or muted for speaker priority.

The TSD-MIX41 is part of a full line of AtlasIED Time Saving Devices. These compact (1.5" x 4" x 2.75") units are designed to solve some of the common audio system problems in the easiest and in the most efficient and cost-effective way. All models are made from high quality components and include removable individual I/O connectors for quick and precise wiring, separate ground terminals for all I/Os assuring secured connections, and removable level controls that can be replaced with tamper-proof security covers. The TSDs are highly efficient and meet Energy Star™ standards as one 24V DC power supply (available separately) can power multiple Atlas Time Saving Devices.

## Features

- High Quality Microphone Preamp
- Mic/Line I/O via Removable Phoenix Style Connector
- 125Hz /12dB Low Cut Filter
- Phantom Power
- Four (4) Preset Frequency Notch Filters For Tone and Feedback Control
- Variable Output Limiter/Compressor
- Mic Mute/Mic On Via Contact Closure
- Input Signal & Peak Indicator LEDs
- High Gain Output for Long Distance Applications
- Separate Ground Connections
- Cable Management System
- Multiple Mounting Configurations
- Removable Phoenix Style I/O Connectors
- Security Covers Included for All Front Panel Controls
- Meets Energy Star™ Standards
- Compact Chassis Design

## Audio Applications

- Mic Preamp
- Line Preamp
- Line Driver
- Choirs
- Remote Mic Control

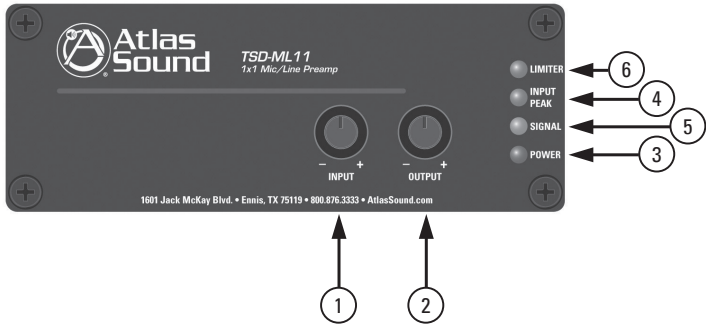
## Installation

- Churches
- Restaurants
- Sports Bars
- Schools
- Industrial Facilities
- House of Worship



1601 Jack McKay Blvd. • Ennis, Texas 75119 U.S.A.  
Telephone: 800.876.3333 • Fax: 800.765.3435

## Front Panel Description

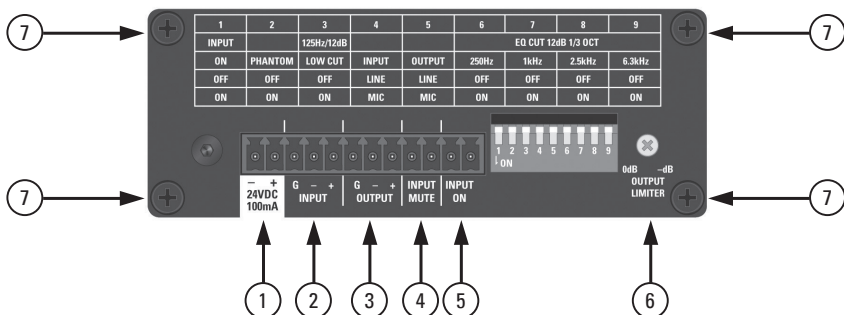


1. **Input Level Control** - Adjusts the gain of the input signal. Turn clockwise to increase the signal level and counter-clockwise to decrease it. **Note:** The Input Level Control knob can be removed and replaced with a supplied security cover to prevent unauthorized adjustment.
2. **Output Level Control** - Adjusts the gain of the output signal. Turn clockwise to increase the signal level and counter-clockwise to decrease it. **Note:** The Output Level Control knobs can be removed and replaced with a supplied security cover to prevent unauthorized adjustment.
3. **Power LED** - Illuminates Blue when 24VDC is present.
4. **Input Peak LED** - Illuminates Red when the input signal reaches 3dBV below when signal clipping will occur. Occasional flashing is normal but if this indicator is continuously On, then reduce the input level using the input level controls on the front panel. There is an LED for each input channel.
5. **Signal LED** - Illuminates Green when the input signal strength reaches 25mV to verify a signal path. **Note:** The LED will not illuminate if the output Level is turned Off.
6. **Limiter LED** - Illuminates Red when input signal is being limited or clipped. Adjustment of the Limiter feature should be done after the input gain have been properly set. The input should be adjusted so the Input Peak LED flashes on signal peaks and then the Output Limiter control can be set so this LED flashes to indicate that the limiter circuit is active.



1601 Jack McKay Blvd. • Ennis, Texas 75119 U.S.A.  
Telephone: 800.876.3333 • Fax: 800.765.3435

## Rear Panel Description



TSD Input/Output connections are removable for easy system wiring. The connector has a 3.5mm pitch between pins.

- DC Power Input** - Each TSD that requires DC power comes with a 2 position connector for an external 24VDC power supply (sold separately). Because of the low power consumption, a single external power supply may power more than one TSD. Refer to the current requirements in milliamps to match with the appropriate power supply. **Note:** It is acceptable to exceed the current of the TSDs but NOT safe to use a power supply that is below the current requirement of the device.
- Balanced Mic/Line Input** - Connects to balanced line or mic level sources. For gain or source input type selection, refer to the "Dip Switch Function Identification" chart. **Note:** Unbalanced line inputs can be inserted with proper wire configuration by connecting the (G) and (-) terminals together.
- Balanced Mic/Line Output** - Provides output for connection to balanced mic/ line level devices. **Note:** Unbalanced line level devices can be used with proper wire configuration by connecting the (G) and (-) terminals together.
- Input Mute** - A contact closure across these terminals will mute the microphone so there will be no output from the TSD-ML11. The contact closure can be either momentary or latching type.
- Input On** - Works when Dipswitch #1 in the Off position. A contact closure across these terminals will activate the output of the TSD-ML11. Use for remote activation of a microphone.
- Output Limiter Control** - Limiter function sets output level peaks. Rotate clockwise to reduce the overall output levels by increasing the sensitivity of the input. Rotate counter-clockwise to increase the output with higher signal peaks. The Limiter LED on the front panel indicates when limiter is in use. **Note:** The control knob can be removed and replaced with a supplied security cover to prevent unauthorized adjustment.
- Cable Management Retainer Points** - Each TSD includes two cable retainer straps for securing the included cable management retainers. Remove one of the rear panel screws, align the panel hole with a retainer and firmly tighten the screws.

## Dip Switch Function Identification

SWITCH FUNCTIONS

1	2	3	4	5	6	7	8	9
INPUT		125Hz/12dB			EQ CUT 12dB 1/3 OCT			
ON	PHANTOM	LOW CUT	INPUT	OUTPUT	250Hz	1kHz	2.5kHz	6.3kHz
OFF	OFF	OFF	LINE	LINE	OFF	OFF	OFF	OFF
ON	ON	ON	MIC	MIC	ON	ON	ON	ON

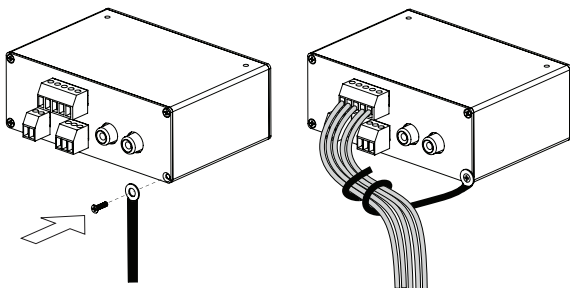
## Switch Position

- DIP SW # 1 - When in the up position, a contact closure across the input will turn the Mic or Line source on. When in the down position, the Input will defeat the Remote On function #5.
- DIP SW # 2 - 24VDC Phantom Power applies power for condenser mic operation. Down position is On.
- DIP SW # 3 - Low Cut Filter engages at 125Hz with a roll off rate of 12dB per octave. This filter operates either in the Line or Mic mode and is available on each input. Ideal for vocal microphones to reduce low frequency energy and to increase intelligibility. Down position is On.
- DIP SW # 4 - Input Mic or Line Select for input gain selection. Up position is Line, down position is Microphone.
- DIP SW # 5 - Output Mic or Line Select for output gain selection. Up position is Line, down position is Microphone.
- DIP SW # 6,7,8,9 - A cut filter of 12dB per octave is available at four frequencies- 250Hz, 1kHz, 2.5kHz, 6.3kHz- from these respective dip switches. Use these filters to remove feedback to improve system stability and for tone shaping. Down position is On.



1601 Jack McKay Blvd. • Ennis, Texas 75119 U.S.A.  
Telephone: 800.876.3333 • Fax: 800.765.3435

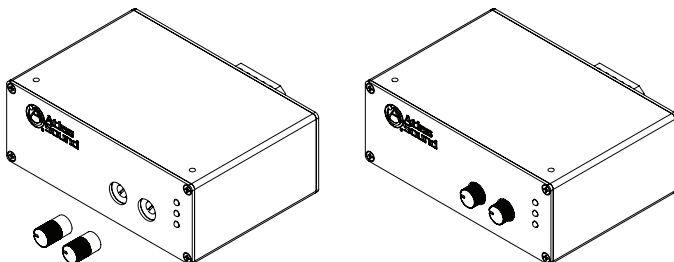
## Cable Management



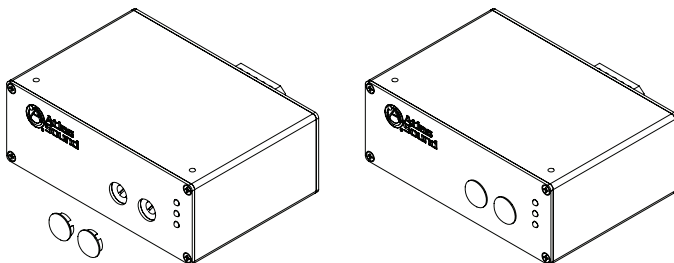
## Knob and Security Cover

All front panel level controls feature a removable knob that can be replaced with an included security cover. Follow these steps to prevent potentiometer damage or unwanted changes.

1. Knob Installation - Turn the potentiometer shaft fully counter-clockwise. Align the knob indicator to the lowest setting on the panel and the potentiometer shaft slot. Carefully press the knob onto the potentiometer shaft. Do not force or damage may occur to the potentiometer.



2. Security Cover Installation - Remove the knob from the panel and insert the cover. Small pliers may be required to remove the knobs. Align the security cover to the level control panel hole. Push the cover into the hole until it snaps into place. Do not force or damage may occur to the potentiometer.

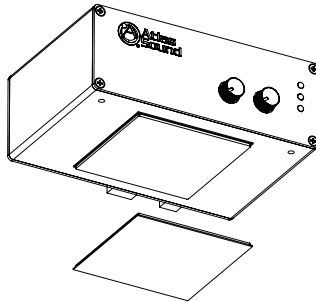


1601 Jack McKay Blvd. • Ennis, Texas 75119 U.S.A.  
Telephone: 800.876.3333 • Fax: 800.765.3435

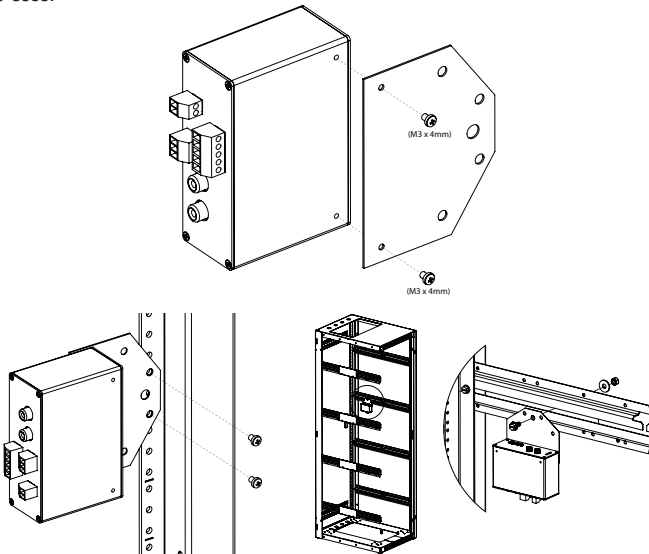
## Mounting

Listed below are the ways to mount the TSD and the optional accessories that can be purchased.

1. Velcro™ - Each unit includes two 2" x 2" pieces of industrial-grade Velcro™ with adhesive backing to adhere to any flat surface. Clean all surfaces before applying the adhesive side of the Velcro™.



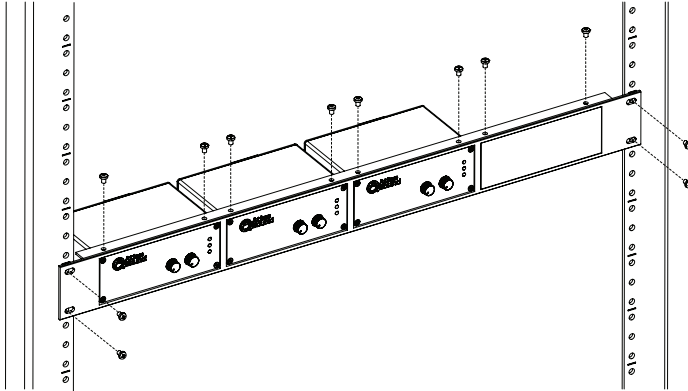
2. Multi Mount Plate - Each TSD includes a versatile multi-position mounting plate. This plate allows the TSD to be mounted to any surface; but is ideal for use with rear rack rails or side rack hat channels. Use the included M3 x 4mm screws to install the plate on the TSD. **Note:** Only use the included M3 x 4mm screws as other screws may be too long and will cause internal damage to the TSD. The multi-position mounting plate is a new addition being included with TSDs. If the TSD being used did not include the mounting plate, contact AtlasIED customer service at 1-800-876-3333.



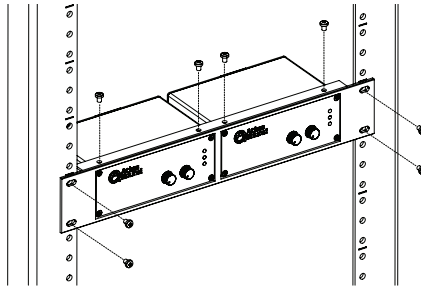
1601 Jack McKay Blvd. • Ennis, Texas 75119 U.S.A.  
Telephone: 800.876.3333 • Fax: 800.765.3435

## Optional Mounting Accessories

1. TSD-RMK 19" Width Rack Mount Kit - For 19" rack mounting, AtlasIED offers an optional rack mount kit, the TSD-RMK. This rack mount kit can support up to four TSD units. The kit includes three blank panels designed to fill any unused slots. Use the included hardware to mount the TSD into the rack mount kit using the top mount screw holes on the TSD.

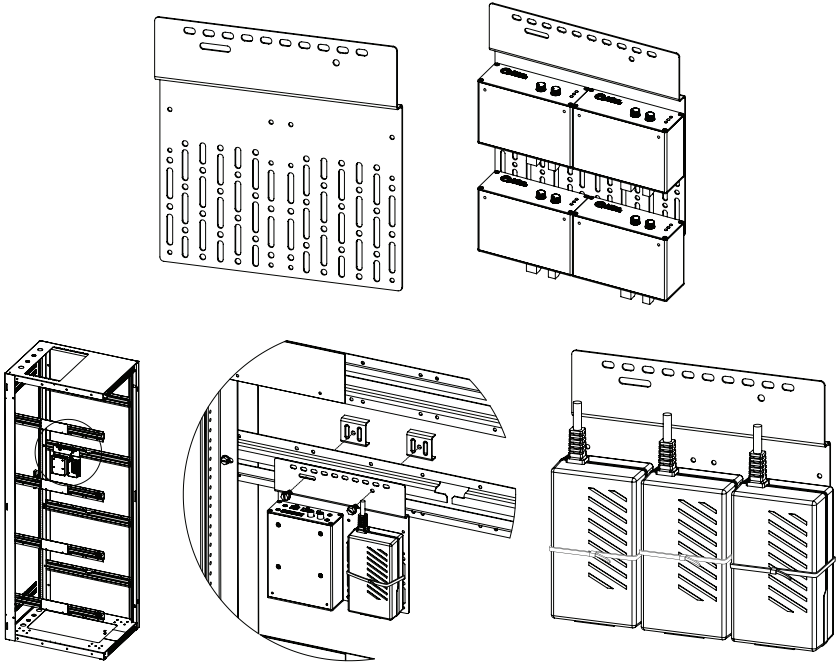


2. TSD-RMKHR Half Width Rack Mount Kit - AtlasIED offers an optional rack mount kit that can be used in half width rack applications including the AtlasIED WMA-HR and AWR-HR models. The TSD-RMKHR can support up to two TSDs. Included is an extra blank panel to fill one of the spaces if only one TSD is being used.





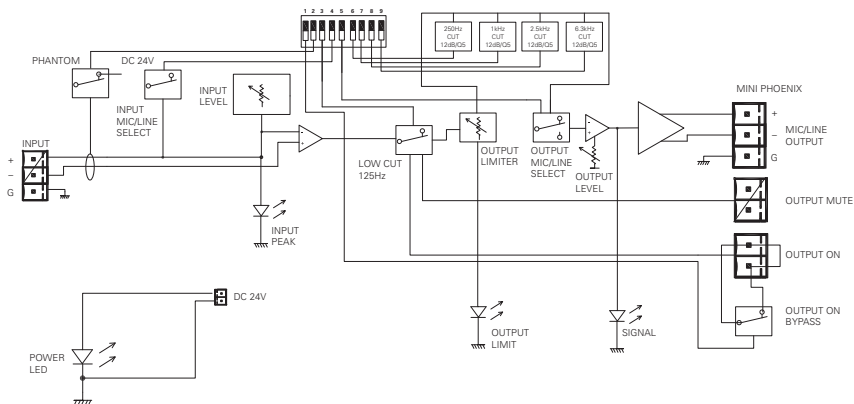
3. TSD-RRMK Rear Rack Mounting Kit - For complete flexibility in mounting a TSD or TSD external power supplies the optional TSD-RRMK is available. The TSD-RRMK can support mounting of either two larger TSDs with external power supplies or up to 4 TSD models. **Note:** Only use the included M3 x 4mm screws as other screws may be too long and will cause internal damage to the TSD.



**Block Diagram**

DIP SWITCH FUNCTION SET

1	2	3	4	5	6	7	8	9
INPUT	PHANTOM	LOW CUT	INPUT	OUTPUT	EQ CUT 12dB 1/3 OCT			
ON	ON	125Hz	INPUT	OUTPUT	25Hz	1Hz	2.5Hz	6.3Hz
OFF	OFF	OFF	LINE	LINE	OFF	OFF	OFF	OFF
ON	ON	ON	MIC	MIC	ON	ON	ON	ON



## Specifications

Description	1 x 1 Mic/Line Preamp
Chassis Color	Black
Chassis Material	Aluminum
<b>Inputs</b>	
Type	Qty 1, Balanced Mic or Line Selectable
Connection	Removable 3 Position Captive Screw 3.5mm Spacing
Impedance	1.2K $\Omega$ Balanced, 600 $\Omega$ Unbalanced
Phantom	24VDC Defeatable
Low Cut Filter	125Hz/12dB Defeatable
Line Input Level	1V (0dBV) Balanced = 2V (+6dBV) Balanced Output, Maximum Input 8V (+15dBV)
Mic Input Level	46dB Gain, 10mV (-40dB) Balanced = 2V (+6dBV) Balanced Output, Maximum Input 40mV (-27dBV)
<b>Outputs</b>	
Type	Qty 1, Balanced Mic or Line Selectable
Connection	Removable 3 Position Captive Screw 3.5mm Spacing
Impedance	300 $\Omega$ Balanced, 150 $\Omega$ Unbalanced
Line Output Level	1V (0dBV) In = 2V (+6dBV), Maximum Output 6V (15dBV)
Mic Output Level	10mV (-40dBV) In = 80mV (-21dBV), Maximum Output 300mV (-10dBV)
<b>Controls</b>	
Input Level Control	Qty 1, Removable Knob with Security Cover
Output Level Control	Qty 1, Removable Knob with Security Cover
Output Limiter	Threshold Adjust From +18dB - No Output. Hard Knee Limit
Mic Mute	Contact Closure, Removable 2 Position Captive Screw 3.5mm Spacing
Mic On	Contact Closure, Removable 2 Position Captive Screw 3.5mm Spacing
Dip Switch Function	<ul style="list-style-type: none"> <li>• Input 1 On/Off</li> <li>• Phantom Power 24VDC</li> <li>• Input Mic/Line Select</li> <li>• Input 125Hz/12dB High Pass Filter</li> <li>• Output Qty 1, Mic/Line Select</li> <li>• EQ, 12dB Cut Filters 250Hz, 1KHz, 2.5KHz, 6.3KHz</li> </ul>
<b>Indicators</b>	
Input Signal	Green, 25mV On Threshold
Input Peak	Red, -3dB Before Clip
Limiter	Red, Output Limiter Activation
Power	Blue



1601 Jack McKay Blvd. • Ennis, Texas 75119 U.S.A.  
Telephone: 800.876.3333 • Fax: 800.765.3435

**Electrical**

Frequency Response	20Hz - 20kHz ( $\pm 1$ dB)
THD	.06% & 1kHz
Output Limiter	Threshold Adjust 50mV to No Limiter
Signal to Noise	Line to Line: 85dBV Mic to Line: 78dBV Line to Mic: 55dBV Mic to Mic: 55dBV

**Power Requirements**

Voltage	24VDC
Power Consumption	100mA
Power Consumption	2.4W
Dimensions	H 1.5" (39mm) x W 4" (101mm) x D 2.75" (70mm)
Weight	6oz, .165kg

**Included Accessories**

Velcro™	Industrial-Grade
Multi-Mount Plate	Qty 1, Includes Two (2) M3 x 4mm Screws
Cable Retainers	Qty 2
Level Control Knobs	Qty 2
Level Control Security Covers	Qty 2

**Optional Accessories**

TSD 24VDC	Power Supply
TSD-RMK	1 RU 19" Width Rack Mount Panel (Supports 4 TSD Units)
TSD-RMKHR	1 RU Half Rack Width Panel (Supports 2 TSD Units)
TSD-RRMK	Rear Rack Mounting Kit

**Safety and Certifications**

External Power Supply	cUL, CE, RoHS, TUV
-----------------------	--------------------



1601 Jack McKay Blvd. • Ennis, Texas 75119 U.S.A.  
Telephone: 800.876.3333 • Fax: 800.765.3435







## Limited Warranty

All products manufactured by AtlasIED are warranted to the original dealer/installer, industrial or commercial purchaser to be free from defects in material and workmanship and to be in compliance with our published specifications, if any. This warranty shall extend from the date of purchase for a period of three years on all AtlasIED products, including SOUNDOLIER brand, and ATLAS SOUND brand products except as follows: one year on electronics and control systems; one year on replacement parts; and one year on Musician Series stands and related accessories. Additionally, fuses and lamps carry no warranty. AtlasIED will solely at its discretion, replace at no charge or repair free of charge defective parts or products when the product has been applied and used in accordance with our published operation and installation instructions. We will not be responsible for defects caused by improper storage, misuse (including failure to provide reasonable and necessary maintenance), accident, abnormal atmospheres, water immersion, lightning discharge, or malfunctions when products have been modified or operated in excess of rated power, altered, serviced or installed in other than a workman like manner. The original sales invoice should be retained as evidence of purchase under the terms of this warranty. All warranty returns must comply with our returns policy set forth below. When products returned to AtlasIED do not qualify for repair or replacement under our warranty, repairs may be performed at prevailing costs for material and labor unless there is included with the returned product(s) a written request for an estimate of repair costs before any nonwarranty work is performed. In the event of replacement or upon completion of repairs, return shipment will be made with the transportation charges collect.

EXCEPT TO THE EXTENT THAT APPLICABLE LAW PREVENTS THE LIMITATION OF CONSEQUENTIAL DAMAGES FOR PERSONAL INJURY, ATLASIED SHALL NOT BE LIABLE IN TORT OR CONTRACT FOR ANY DIRECT, CONSEQUENTIAL OR INCIDENTAL LOSS OR DAMAGE ARISING OUT OF THE INSTALLATION, USE OR INABILITY TO USE THE PRODUCTS. THE ABOVE WARRANTY IS IN LIEU OF ALL OTHER WARRANTIES INCLUDING BUT NOT LIMITED TO WARRANTIES OF MERCHANTABILITY AND FITNESS FOR A PARTICULAR PURPOSE.

AtlasIED does not assume, or does it authorize any other person to assume or extend on its behalf, any other warranty, obligation, or liability. This warranty gives you specific legal rights and you may have other rights which vary from state to state.

## Service

Should your Atlas TSD require service, please contact the AtlasIED warranty department at 1-877-689-8055, ext. 277 to obtain an RA number.

AtlasIED Tech Support can be reached at 1-800-876-3333 or [support.atlasied.com](mailto:support.atlasied.com).

Visit our website at [www.AtlasIED.com](http://www.AtlasIED.com) to see other Atlas products.

©2017 Atlas Sound L.P. The Atlas "Circle A", Soundolier, and Atlas Sound are trademarks of Atlas Sound L.P.

IED is a registered trademark of Innovative Electronic Designs LLC. All Rights Reserved.

All other trademarks are the property of their respective owners. All specs are subject to change without notice. ATS003943 RevE 4/17



1601 Jack McKay Blvd. • Ennis, Texas 75119 U.S.A.  
Telephone: 800.876.3333 • Fax: 800.765.3435