

# DT22

## Acoustic Tile Speaker

### Installation

1. Using a measuring device, mark off 23.75" from one end of tile for 2' x 4' ceiling grid, or remove a 2' x 2' tile.
2. Carefully cut tile on mark using utility knife, drywall saw, or RotoZip™.
3. Use two wire nuts (included) to attach selected transformer power tap lead and black (-) leads to the field wiring.
4. Insulate unused leads to prevent shorting with electrical tape or wire nuts.
5. Install DT22 into the grid adding the supplied T-bar in between the speaker and the tile for 2' x 4' ceiling grid.
6. Replace the cut section of acoustic tile for 2' x 4' ceiling grid.

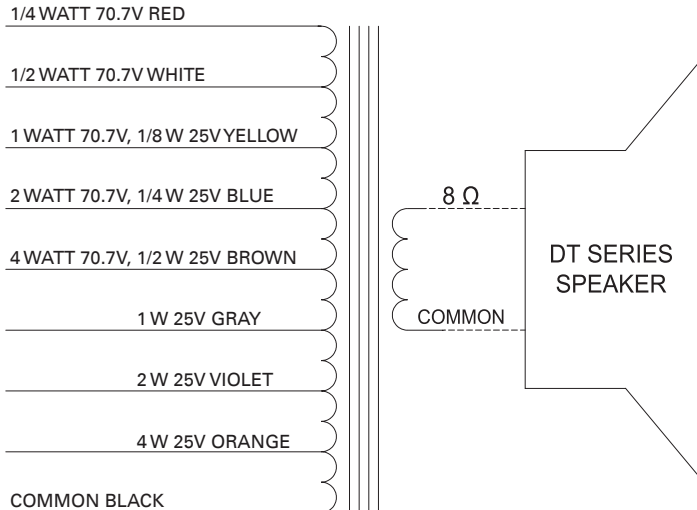
**Power TAPS:** 70.7V: 1/4, 1/2, 1, 2, 4 watts  
 25V: 1/8, 1/4, 1/2, 1, 2, 4 watts

**Frequency Response:** 85Hz - 8kHz

**Sensitivity:** 97dB (1W / 1M)

**NOTE:**

Installation must comply with all building codes and NFPA guidelines. Installation must adhere to N.E.C. and NFPA 70/72 wiring directives and comply with all national and local building codes.



©2015 Atlas Sound L.P. All rights reserved. Atlas Sound is a trademark of Atlas Sound L.P. All other trademarks are the property of their respective owners. All specs are subject to change without notice. ATSO0488 RevB 7/15