

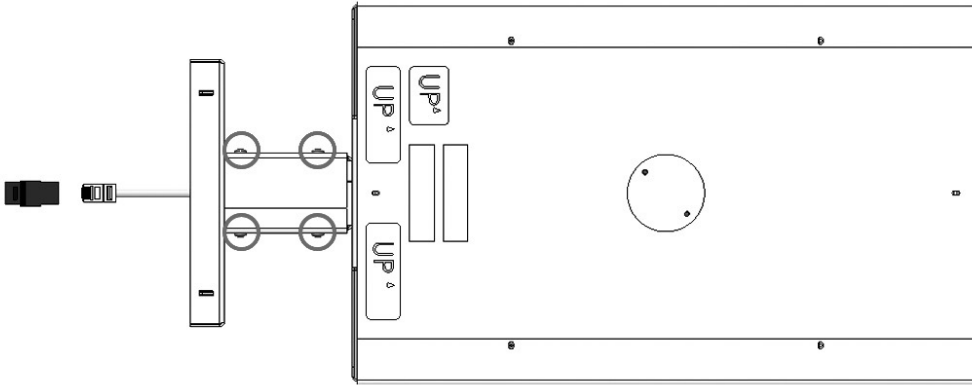
IP-DD / IP-DDS

Retro Kit Install Sheet

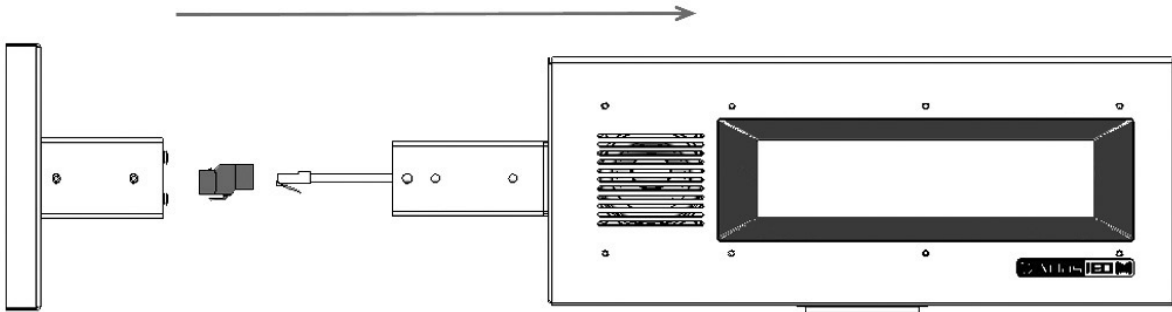
Please follow the instructions below to replace the current IP-DD / IP-DDS mounting hardware with the new Retro Fit Kit.

View a video of the retro fit process at <https://vimeo.com/354908867/75b538007a>

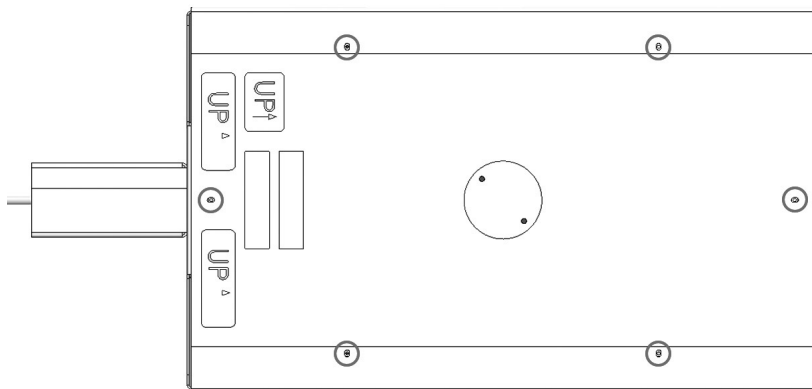
1. Remove the Four screws from the wall mount bar.



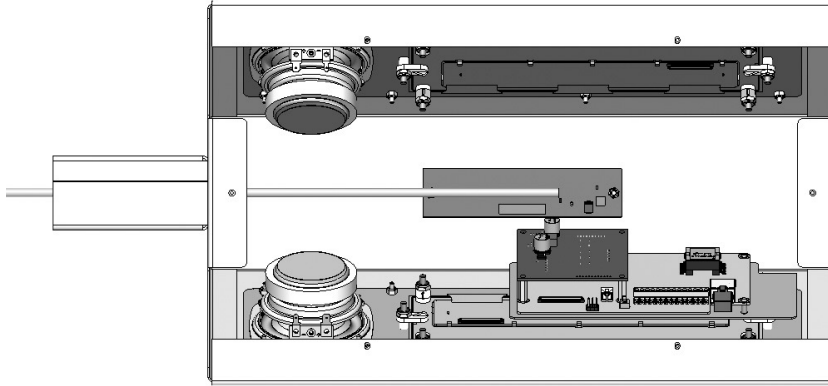
2. Slide unit out from external bar and disconnect cable.



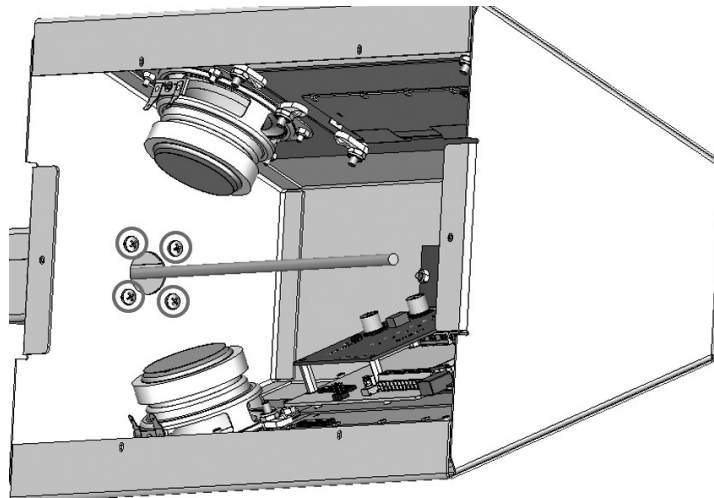
3. Remove the six screws on the top plate and set the screws aside.



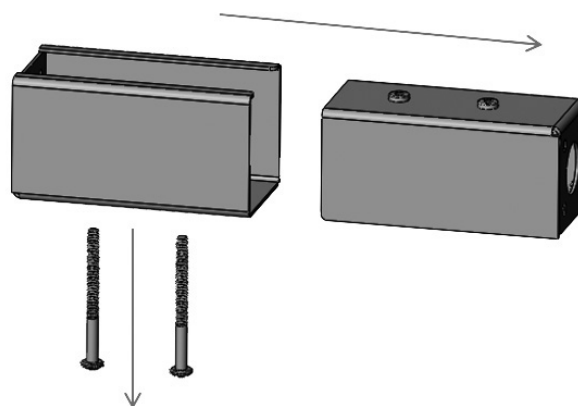
4. Remove top plate.



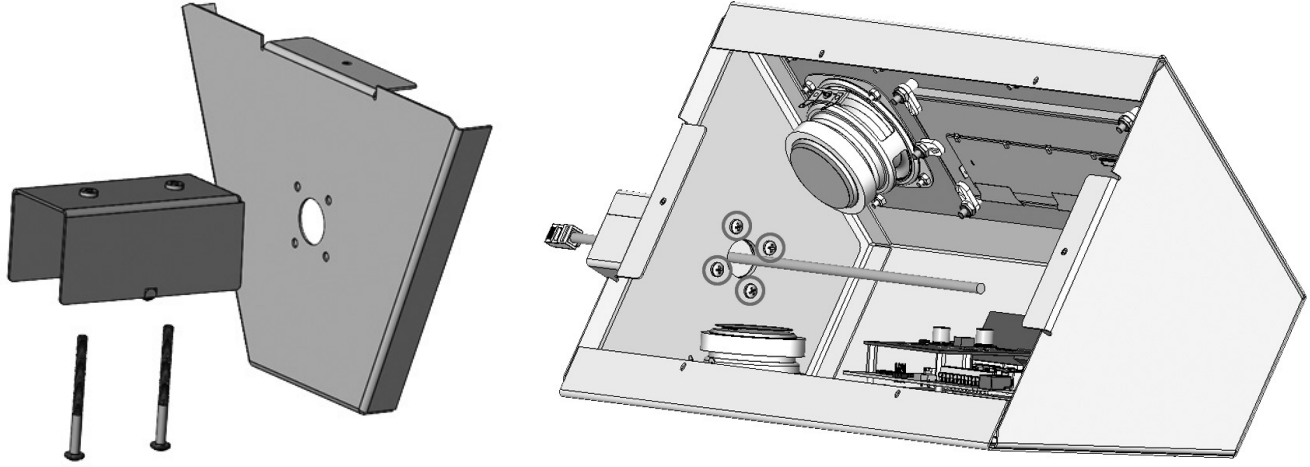
5. Remove the four screws that attach the internal bar and set the screws aside.



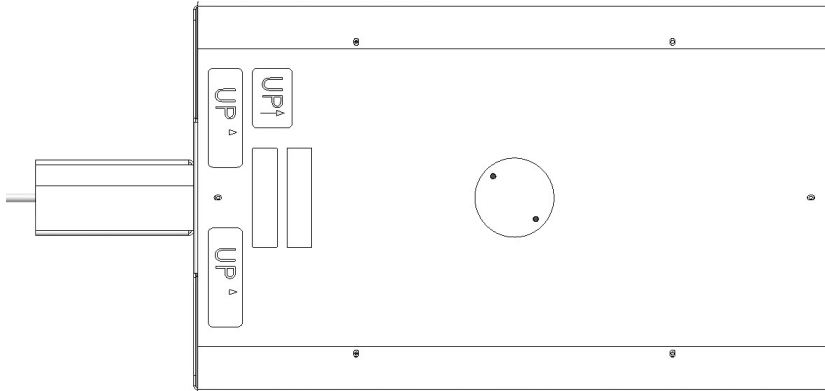
6. Take replacement bar from package, remove the Two screws, set the screws aside, and slide out the internal bar piece.



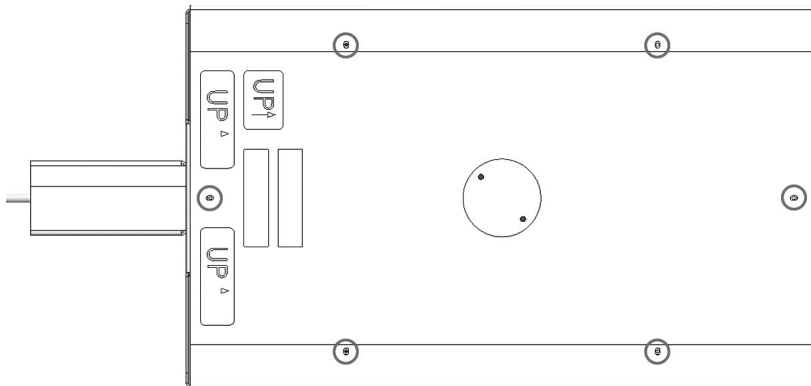
- Attach the internal bar to the speaker enclosure, using the screws previously removed, with the screw holes on top.



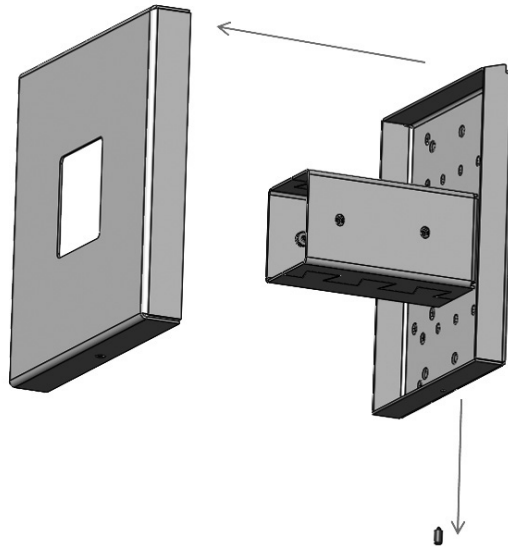
- Put top cover back on unit.



- Screw the six screws back into the top cover to secure in place.

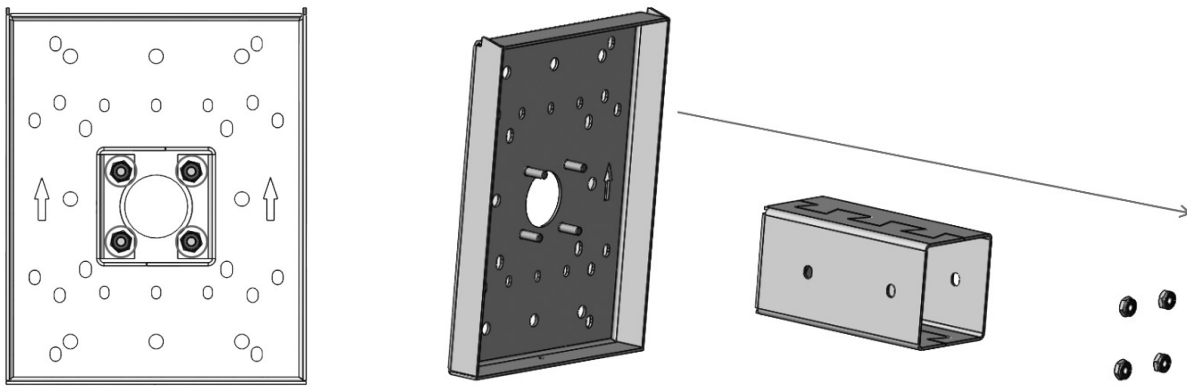


10. Remove the set screw from cover plate and remove from the wall bracket.

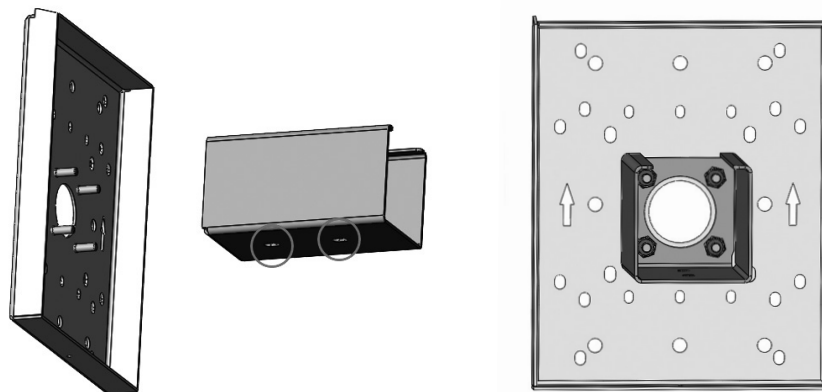


11. Remove wall bracket from wall

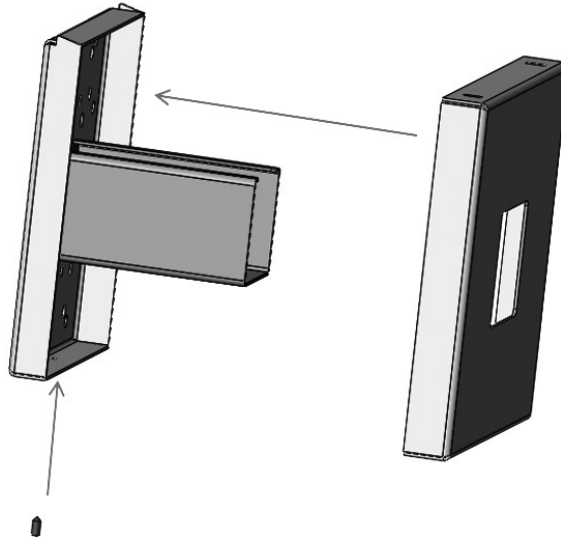
12. Remove the external bar from wall bracket by removing the nuts, set the nuts aside.



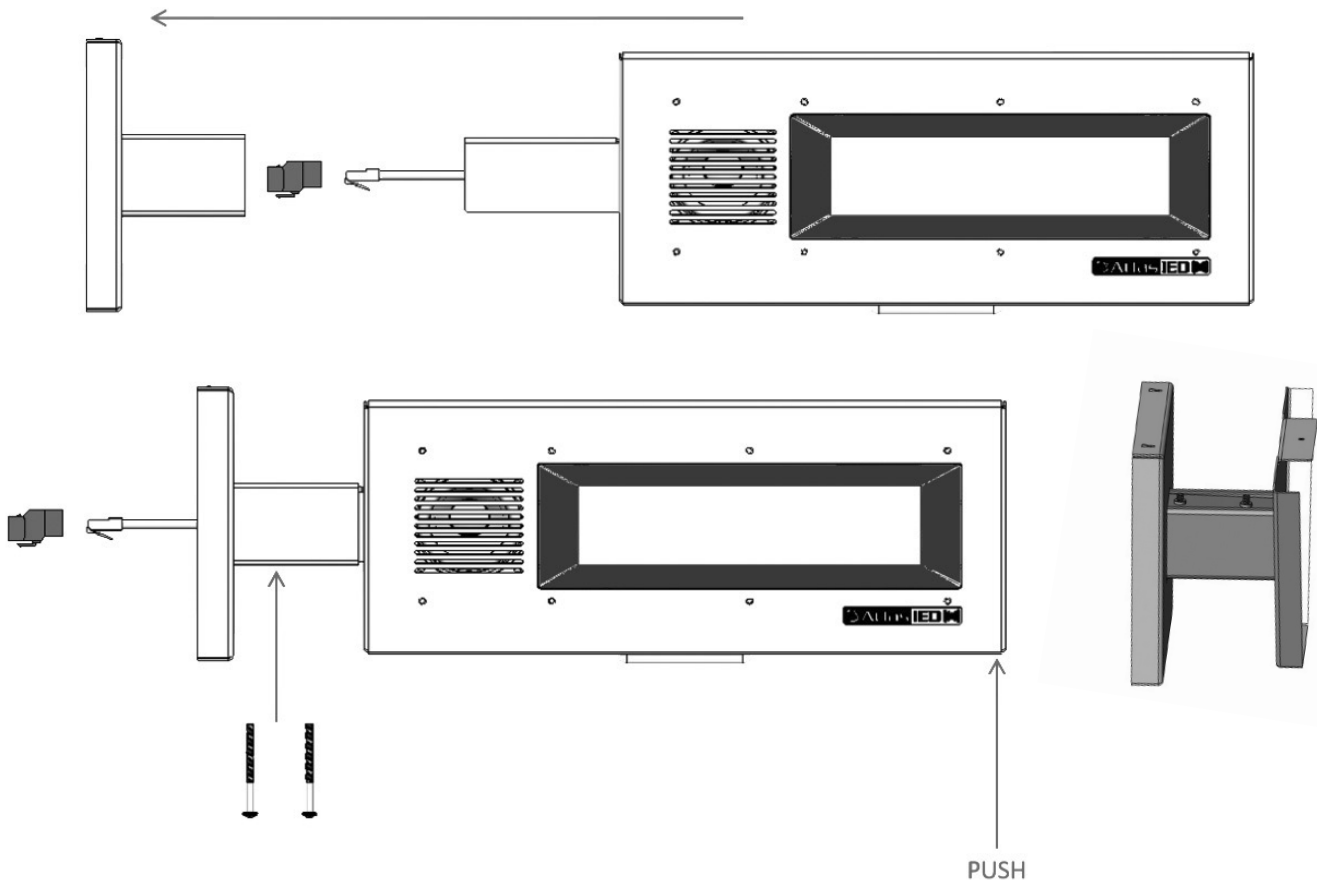
13. Attach new external bar to wall bracket mounting plate, using the nuts previously removed, with the screw holes facing down.



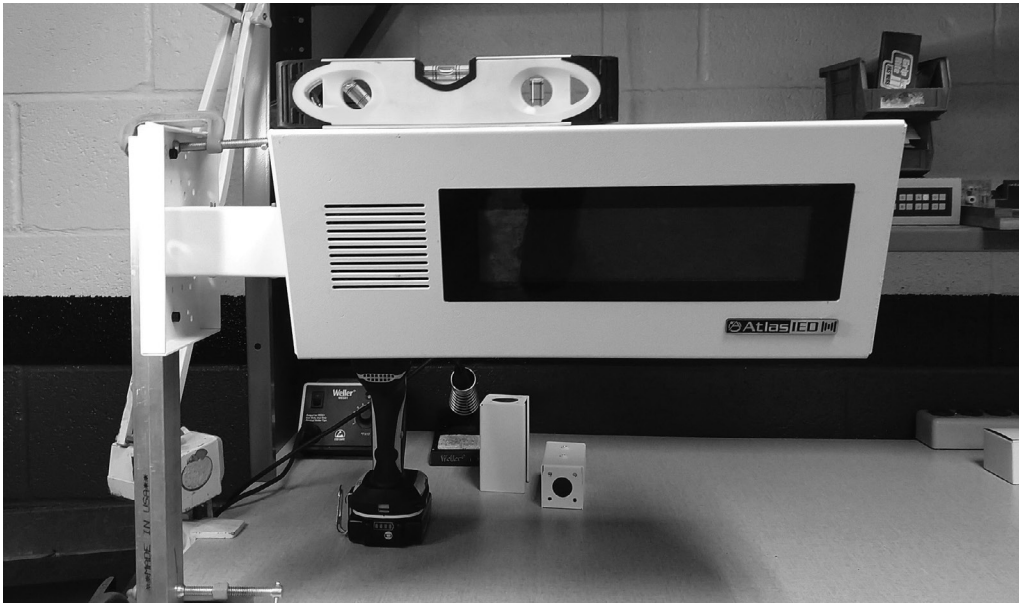
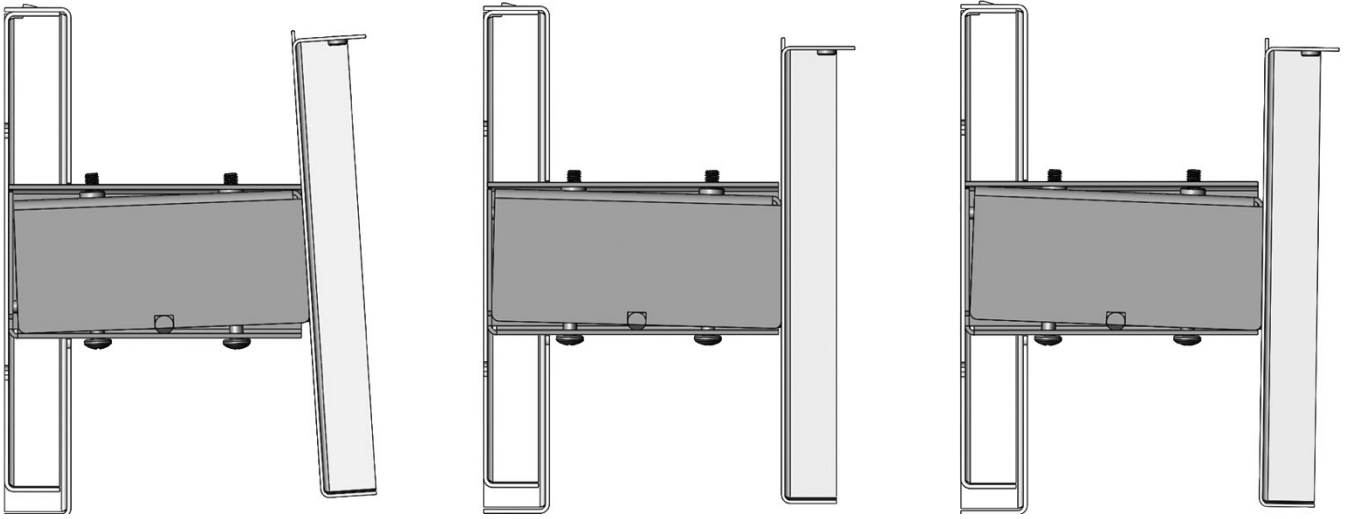
14. Secure the wall bracket back to the wall.
15. Put cover plate on wall bracket and install set screw.



16. Reconnect the cable and slide the unit into the external bar.
17. Push up on the unit and install the 2 bar screws that came with replacement bar.



18. Place level on top of unit and adjust screws until unit is level.



©2019 Atlas Sound LP. The Atlas "Circle A", Soundolier, and Atlas Sound are trademarks of Atlas Sound L.P. IED is a Registered Trademark of Innovative Electronic Designs LLC. All rights reserved. All other Trademarks are property of their respective owners. No endorsement is implied. Due to continual product development, specifications are subject to change without notice. ATSO06024 RevB 8/19 PN 493138